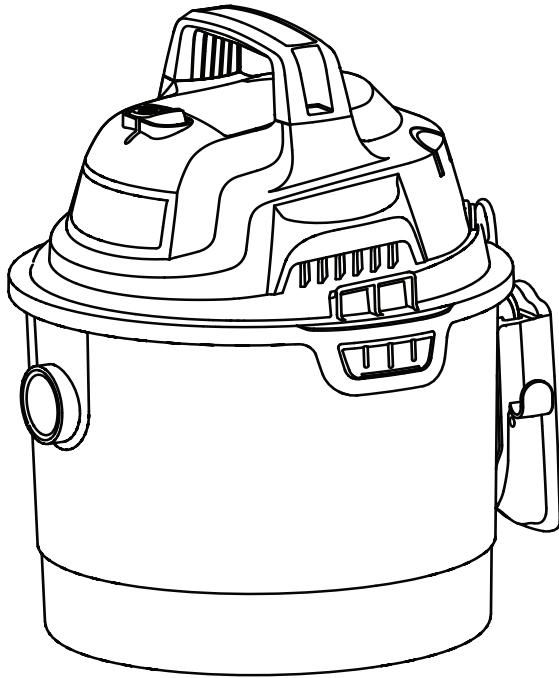




2.5 GALLON WET/DRY VAC



Operation Manual

MODEL #'s VOM205P 3801



This safety alert symbol identifies important safety messages in this manual. Failure to follow this important safety information may result in serious injury or death.

TABLE OF CONTENTS

SECTION	PAGE
Warranty	3
Important Safety Instructions	4
Double Insulation Instructions	6
Extension Cords	7
Unpacking & Checking Carton Contents	8
General Assembly Instructions	9
Dry Vacuum Operation	11
Liquid Vacuum Operation	12
Blower Operation	14
Maintenance	15
Installing & Cleaning Cartridge Filter	16
Installing & Cleaning Foam Wet Filter	17
Troubleshooting	18
Exploded View	19
Parts List	20

Thank you for purchasing this Black Diamond™ wet/dry vacuum cleaner. Feel confident that with Black Diamond™ you are obtaining a high quality product engineered for optimal performance. This vacuum is capable of picking up liquids and dry materials.

FOR YOUR SAFETY: CAREFULLY READ AND UNDERSTAND ALL INSTRUCTIONS.

We take pride in producing a high quality, durable product. This Black Diamond™ product carries a limited two (2) year warranty against defects in workmanship and materials from date of purchase under normal household use. If product is to be used for commercial, industrial, or rental use, a 90 day limited warranty will apply. Please keep your receipt as proof of purchase. This warranty gives you specific legal rights, and you may have other rights, which vary from state to state. For customer service please call 877-806-9067.

Not Covered by Warranty:

- Any part that has become inoperative due to misuse, negligence, direct/indirect abuse, accidents, improper maintenance, repairs, or alterations
- Consumables such as filters and accessories
- Normal wear and tear of parts and attachments, such as hose, nozzles, or casters
- Normal deterioration of the exterior finish due to use or exposure
- Any product where serial number/data label is tampered with or removed
- Any product purchased from an unauthorized retailer

IMPORTANT SAFETY INSTRUCTIONS

READ AND UNDERSTAND ALL INSTRUCTIONS BEFORE USING THIS VACUUM. Read and understand this operator's manual and all labels on the Wet/Dry Vacuum cleaner before operating. Safety is a combination of common sense, staying alert and knowing how your vacuum works. Use this Wet/Dry Vacuum only as described in this manual. To reduce the risk of personal injury or damage to your Wet/Dry Vacuum, use only manufacturer recommended accessories. For Household Use Only



SAVE THIS MANUAL FOR FUTURE REFERENCE.

When using a vacuum, basic precautions should always be followed including the following:



WARNING

TO REDUCE THE RISK OF FIRE, ELECTRIC SHOCK, OR INJURY:

- Do not run vac unattended.
- Do not vacuum, or use this Wet/Dry Vac near flammable liquids, gases, or explosive vapors like gasoline or other fuels, lighter fluids, cleaners, oil-based paints, natural gas, hydrogen, or explosive dusts like coal dust, magnesium dust, grain dust, or gun powder. Sparks inside the motor can ignite flammable vapors or dust.
- Do not vacuum, or use this Wet/Dry Vac near flammable liquids, gases, or explosive vapors like gasoline or other fuels, lighter fluids, cleaners, oil-based paints, natural gas, hydrogen, or explosive dusts like coal dust, magnesium dust, grain dust, or gun powder. Sparks inside the motor can ignite flammable vapors or dust.
- Keep cord away from heated surfaces.
- Do not expose to rain. Store indoors.
- Do not unplug by pulling on cord. To unplug, grasp the plug, not the cord.
- Do not use with damaged cord, plug, or other parts.
- If appliance is not working as it should, has been dropped, damaged, left outdoors, or dropped into water, return it to a service center.
- Do not pull or carry by cord, use cord as handle, close a door on cord, or pull cord around sharp edges or corners.
- Do not run Wet/Dry Vac over cord.
- Do not handle plug or the Wet/Dry Vac with wet hands.
- To reduce the risk of health hazards from vapors or dusts, do not vacuum toxic materials.
- Do not use or store near hazardous materials.
- Do not use this Wet/Dry Vac with a torn filter or without the filter installed except when vacuuming liquids as described in the operation section of this manual.

- Do not allow to be used as a toy. Close attention is necessary when used by or near children.
- To reduce the risk of injury from accidental starting, unplug power cord before changing or cleaning filter.
- Do not leave Wet/Dry Vac unattended when plugged in. Unplug from outlet when not in use and before servicing.
- Turn off Wet/Dry Vac before unplugging.
- Do not put any object into ventilation openings. Do not vacuum with any ventilation openings blocked; keep free of dust, lint, hair, or anything that may reduce air flow.
- Keep hair, loose clothing, fingers, and all parts of body away from openings and moving parts.
- To reduce the risk of falls, use extra care when cleaning on stairs.
- Unplug before connecting hose.
- Use only as described in this manual. Use only manufacturer's recommended attachments.
- This appliance is provided with double insulation. Use only identical replacement parts. See "DOUBLE INSULATION INSTRUCTIONS".

When using as blower:

- Direct air discharge only at work area.
- Do not use Wet/Dry Vac as a sprayer.
- Do not direct air at bystanders.
- Keep children away when blowing.
- Use safety goggles.

DOUBLE INSULATION INSTRUCTIONS

This Wet/Dry Vac is double-insulated, eliminating the need for a separate grounding system. Use only identical replacement parts. Read the instructions for Servicing Double-Insulated Wet/Dry Vacs before servicing. Use this Wet/Dry Vac as described in this manual.

Observe the following warnings that appear on the motor housing of your Wet/Dry Vac.



DOUBLE INSULATED - GROUNDING NOT REQUIRED - WHEN SERVICING USE ONLY IDENTICAL REPLACEMENT PARTS.



WARNING

TO REDUCE THE RISK OF ELECTRIC SHOCK, DO NOT EXPOSE TO RAIN. STORE INDOORS.




CAUTION

DO NOT VACUUM DRYWALL DUST OR FIREPLACE SOOT OR ASH WITH STANDARD WET/DRY FILTER. THIS IS A VERY FINE DUST WHICH WILL NOT BE CAPTURED BY THE FILTER AND MAY CAUSE DAMAGE TO MOTOR. WHEN VACUUMING FINE DUST USE A FINE DUST FILTER.



WARNING

SERVICING OF DOUBLE-INSULATED WET/DRY VACUUM WITH A DOUBLE-INSULATED WET/DRY VACUUM, TWO SYSTEMS OF INSULATION ARE PROVIDED INSTEAD OF GROUNDING. NO GROUNDING MEANS IS PROVIDED ON A DOUBLE-INSULATED APPLIANCE, NOR SHOULD A MEANS FOR GROUNDING BE ADDED. SERVICING A DOUBLE INSULATED WET/DRY VACUUM REQUIRES EXTREME CARE AND KNOWLEDGE OF THE SYSTEM, AND SHOULD BE DONE ONLY BY QUALIFIED SERVICE PERSONNEL. REPLACEMENT PARTS FOR A DOUBLE-INSULATED WET/DRY VACUUM MUST BE IDENTICAL TO THE PARTS THEY REPLACE. YOUR DOUBLE-INSULATED WET/DRY VAC IS MARKED WITH THE WORDS 'DOUBLE INSULATED' AND THE SYMBOL  (SQUARE WITHIN A SQUARE) MAY ALSO BE MARKED ON THE APPLIANCE.

- To reduce the risk of electric shock, unplug before cleaning or servicing.
- DO NOT use without filters in place.

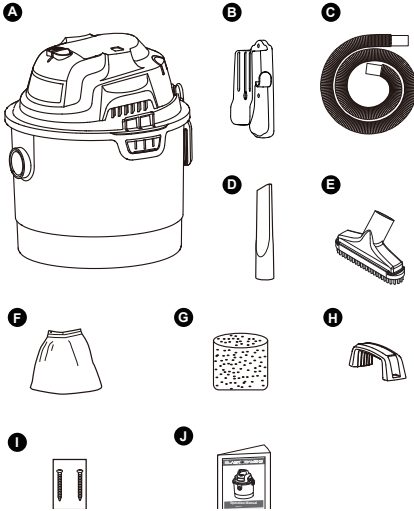
CAUTION: TO REDUCE THE RISK OF INJURY FROM MOVING PARTS, UNPLUG BEFORE SERVICING.

EXTENSION CORDS

When using an extension cord with your Wet/Dry Vac refer to the following table to determine the required A.W.G. wire size. Before using the vacuum cleaner, make sure the power cord and extension cord are in good working condition. Make repairs or replacements before using the vacuum cleaner. Only use extension cords that are rated for outdoor use.

110V-120V	Length of Extension Cord			
	25 Feet 7.5 Meters	50 Feet 15.25 Meters	100 Feet 30.5 Meters	150 Feet 45.7 Meters
Amps	A.W.G. Wire Size			
0-6	18	16	16	14
7-10	18	16	14	12
11-12	16	16	14	12
13-16	14	12	Not recommended	

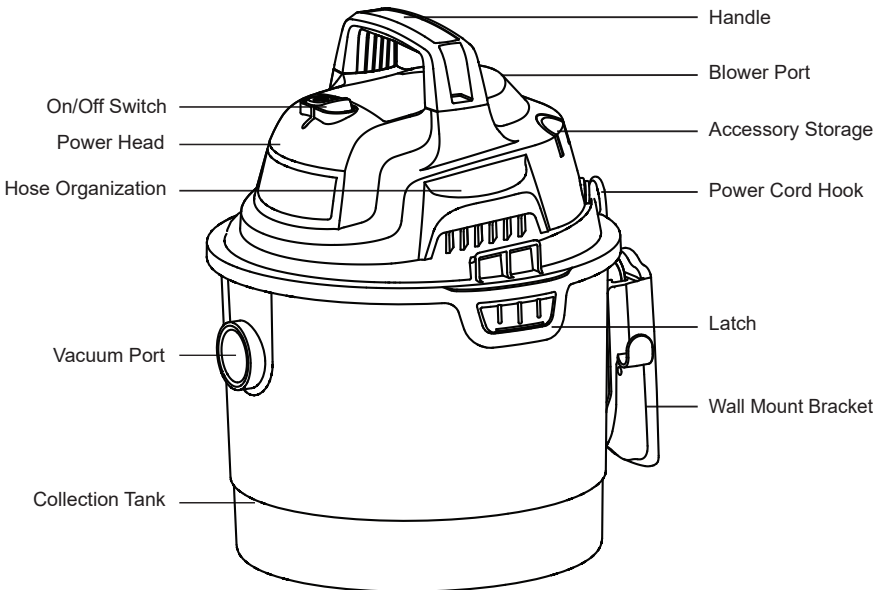
UNPACKING & CHECKING CARTON CONTENTS



Remove all contents from the box. Remove the power head and take out any contents inside the collection tank.

Check each item against the carton contents list.

Key	Description	Qty.
A	Vac Assembly	1
B	Wall Mounting Support	1
C	Hose	1
D	Crevice Tool	1
E	2-in-1 Utility Nozzle	1
F	Cloth Filter	1
G	2 Screws (Bag)	1
H	Foam Wet Filter.....	1
I	Operator's Manual	1

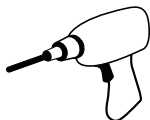


GENERAL ASSEMBLY INSTRUCTIONS

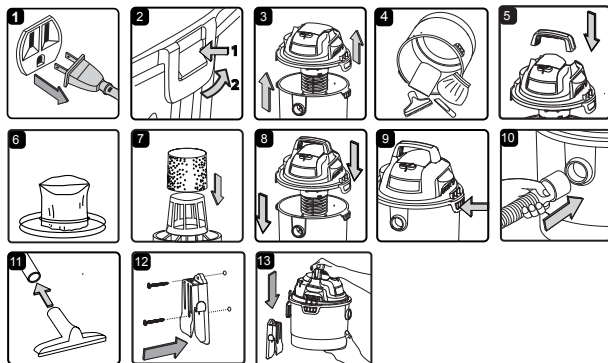
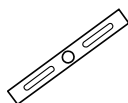
Before beginning assembly of product, make sure all parts are present. Compare parts with package contents list and diagram. If any part is missing or damaged, do not attempt to assemble the product. Contact customer service for replacement parts.

Estimated Assembly Time: 25 minutes

Tools Required for Assembly: Drill, Screwdriver



Helpful Tools: Level



WARNING

TO REDUCE THE RISK OF ELECTRIC SHOCK, DO NOT EXPOSE TO RAIN. MAKE SURE PLUG IS DISCONNECTED BEFORE ASSEMBLING THE WET/ DRY VAC.

UNPACKING YOUR WET/DRY VACUUM & GENERAL ASSEMBLY

1. Verify that the power cord is disconnected from the outlet (Fig. 1).
2. Undo the latches (Fig. 2).
3. Lift the power head off the collection tank (Fig. 3).
4. Remove the contents from inside the collection tank; make sure you have all contents as listed on page 5 (Fig. 4).
5. Insert the handle into the slots located on the top of the power head and secure it with the screws provided. Do not over-tighten the screws (Fig. 5).

6. Insert the handle into the slots located on the top of the power head and secure it with the screws provided. Do not over-tighten the screws (Fig. 5).
7. For wet vacuum cleaning, install the supplied foam wet filter (Fig. 7). For installation instructions, see page 12.
8. Place the power head back on the collection tank, and secure into place using the 2 side latches (Fig. 8 & 9).
9. Place the power head back on the collection tank, and secure into place using the 2 side latches (Fig. 8 & 9).
10. Choose the desired accessories and insert onto the end of the hose (Fig. 10).

For your convenience this vacuum comes with a wall mounting support for storage.

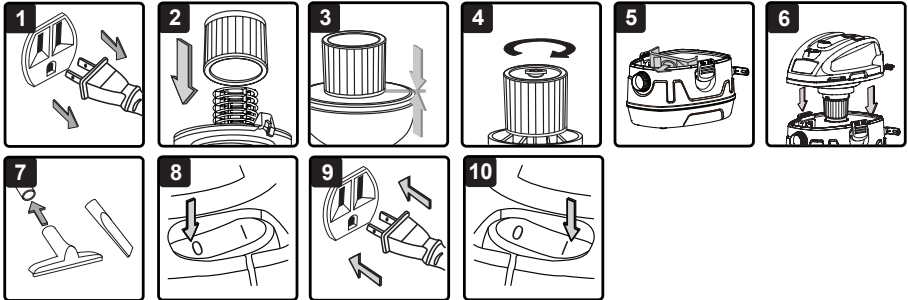
IMPORTANT!

- Do not mount the rack over 5 feet from the floor.
 - Do not screw the rack to drywall only. Secure the screws to a stud.
 - Do not hang from or sit on the vacuum when on mounting rack.
 - Do not use the vacuum while it is mounted on the wall mounting support.
 - Empty the tank before mounting the vacuum on the wall.
11. Make sure the rack is level and mark the hole locations. Make 1/8-inch diameter pilot hole in each marked location. Align the two screw holes so that they are over a stud and secure the mounting support to the wall stud with the two screws provided (Fig. 12).
 12. Place the wet and dry vacuum cleaner into the support (Fig. 13).

POLARIZED PLUG

To reduce the risk of electrical shock, this appliance has a polarized plug (one blade wider than the other). This plug will fit in a polarized outlet only one way. If the plug does not fit fully in the outlet, reverse the plug. If it still does not fit, contact a qualified electrician to install the proper outlet. Do not change the plug in any way. Double insulation eliminates the need for the three wire grounded power cord and grounded power supply system.

DRY VACUUM OPERATION



DRY VACUUMING



WARNING

BE SURE TO READ, UNDERSTAND, AND APPLY, INFORMATION ENTITLED 'SAFETY INSTRUCTIONS & WARNINGS'. DO NOT VACUUM IN AREAS WITH FLAMMABLE GASES, VAPORS, OR EXPLOSIVE DUSTS IN THE AIR. FLAMMABLE GASES OR VAPORS INCLUDE BUT ARE NOT LIMITED TO: LIGHTER FLUID, SOLVENT TYPE CLEANERS, OIL-BASED PAINTS, GASOLINE, ALCOHOL, OR AEROSOL SPRAYS. EXPLOSIVE DUSTS INCLUDE BUT ARE NOT LIMITED TO: COAL, MAGNESIUM, GRAIN, OR GUN POWDER. TO REDUCE THE RISK OF HEALTH HAZARDS FROM VAPORS OR DUST, DO NOT VACUUM TOXIC MATERIALS.

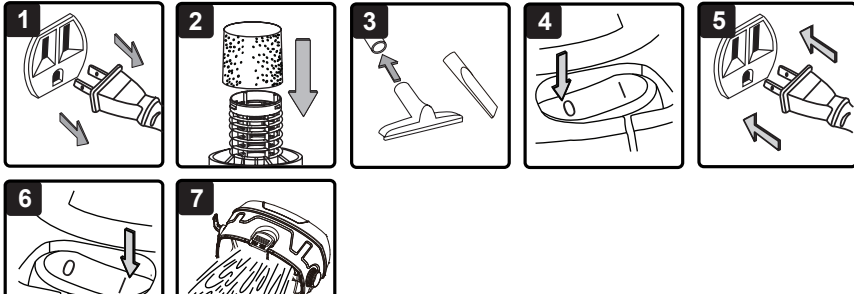
1. Verify that the power cord is disconnected from the outlet (Fig. 2).
2. In order to prepare your vacuum for dry vacuuming, make sure the filter is completely covering the filter cage against the power head (Fig. 3 & 4). Your Wet/Dry Vac comes with the reusable cloth filter pre-installed. For installation instructions, see page 12.
3. Place the power head section back on the collection tank, and secure it in place using the latches (Fig. 5).

OPERATING INSTRUCTIONS: DRY VACUUMING

4. Insert the larger end of the hose into the vacuum port on the power head. Push the required attachment onto the free end of the hose or extension (Fig. 6).
5. Plug the power cord into the outlet (Fig. 7).
6. Turn the motor on by flipping the switch to the 'I' ON position and begin vacuuming (Fig. 8).
7. Once you have completed vacuuming, flip the switch to the 'O' OFF position and unplug the power cord from the outlet.

O = OFF I = ON

DO NOT USE THE DUST FILTER FOR LIQUID VACUUMING.



LIQUID VACUUMING



WARNING

BE SURE TO READ, UNDERSTAND, AND APPLY, INFORMATION ENTITLED 'SAFETY INSTRUCTIONS & WARNINGS'. DO NOT VACUUM IN AREAS WITH FLAMMABLE GASES, VAPORS, OR EXPLOSIVE DUSTS IN THE AIR. FLAMMABLE GASES OR VAPORS INCLUDE BUT ARE NOT LIMITED TO: LIGHTER FLUID, SOLVENT TYPE CLEANERS, OIL-BASED PAINTS, GASOLINE, ALCOHOL, OR AEROSOL SPRAYS. EXPLOSIVE DUSTS INCLUDE BUT ARE NOT LIMITED TO: COAL, MAGNESIUM, GRAIN, OR GUN POWDER. TO REDUCE THE RISK OF HEALTH HAZARDS FROM VAPORS OR DUST, DO NOT VACUUM TOXIC MATERIALS.

DO NOT PLUG POWER CORD INTO POWER OUTLET. MAKE SURE PLUG IS DISCONNECTED BEFORE CHANGING THE FILTERS.

1. Verify that the power cord is disconnected from the outlet (Fig. 2).
2. Remove reusable cloth filter, then carefully install the foam wet filter over the filter cage and place the power head back on the collection tank (Fig. 3). For filter installation instructions, see page 12.

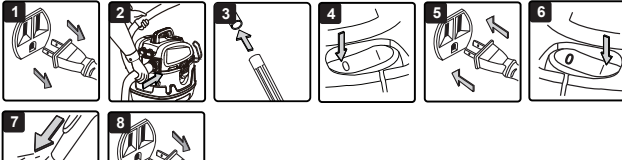
**DO NOT USE THE REUSABLE CLOTH FILTER FOR LIQUID VACUUMING.
OPERATING INSTRUCTIONS: WET VACUUMING**

3. Fit the desired nozzle to the vacuum hose (Fig. 4).
4. Verify that the switch is in the 'O' OFF position before plugging the power cord into the outlet (Fig. 5).
5. Turn the motor on by flipping the switch to the 'I' ON position (Fig. 6).
6. After use, empty the collection tank, clean and dry the inside and outside before storage (Fig. 7).

IMPORTANT! When vacuuming large quantities of liquids, do not immerse the nozzle completely in the liquid; leave a gap at the tip of the nozzle opening to allow air inflow. The machine is fitted with a float valve that stops the suction action when the collection tank reaches its maximum capacity. You will notice an increase in motor speed. When this happens, turn off the machine, disconnect from power supply, and drain the liquid into a suitable receptacle or drain. After wet vacuuming, turn the machine off and remove plug from power supply. Empty the collection tank, clean and dry the inside and outside before storage.

REMEMBER! The foam wet filter must be removed after wet vacuuming, and a reusable cloth filter must be installed before dry vacuuming again.

BLOWER OPERATION



This Wet/Dry Vac has blowing capabilities. To use the blower feature follow the instructions listed.



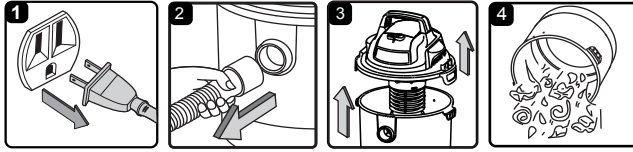
WARNING

ALWAYS WEAR SAFETY GOGGLES COMPLYING WITH ANSI Z87.1 (OR IN CANADA, CSAZ94.3) BEFORE USING BLOWER.

CAUTION: KEEP BYSTANDERS CLEAR FROM BLOWING DEBRIS.

WEAR A DUST MASK IF BLOWING CREATES DUST THAT MIGHT BE INHALED.

1. Verify that the power cord is disconnected from the outlet (Fig. 1).
2. Make sure the collection tank is empty before using as a blower.
3. Remove hose from the vacuum port.
4. Insert the larger end of the hose into the blower port on the backside of the power head (Fig. 2).
5. Verify that the power switch is in the 'O' (OFF) position before plugging the power cord into the outlet (Fig. 3).
6. Before turning on the vac, firmly hold loose end of the hose. Turn the motor on by flipping the switch to the 'I' ON position (Fig. 4).



EMPTYING THE COLLECTION TANK



WARNING

ALWAYS DISCONNECT THE PLUG FROM THE POWER OUTLET BEFORE REMOVING THE POWER HEAD FROM COLLECTION TANK.

1. Verify that the power cord is disconnected from the outlet (Fig. 1).
2. Disconnect the hose from the vacuum (Fig. 2).
3. Undo the latches and remove the power head from the collection tank (Fig. 3). Place power head on a soft, clean surface upside down.
4. Clear all dirt or debris from the collection tank and hose into a proper waste container (Fig. 4).
5. Clean or replace the filters.
6. Check the hose, attachments, and power cord to ensure that they have not been damaged.
7. Place the power head back onto the collection tank and secure latches.

IMPORTANT! Clean or change the filter regularly for best performance. **ALWAYS USE THE CARTRIDGE FILTER FOR DRY VACUUMING.** If the machine is used without the cartridge filter, the motor will burn out and the warranty will be voided. Always keep spare filters on hand.

NOTICE! The filters included are made of high quality materials designed to stop small dust particles. The reusable cloth filter should be used for dry pick-up only. A dry reusable cloth filter is necessary to pick up dust. If the reusable cloth filter is wet, it will clog quickly and be very difficult to clean. Handle the filter carefully when removing it for cleaning and replacing it. Check the filters for tears or small holes. A small hole can let dust pass through and out of the filter. Do not use a filter with holes or tears; replace it immediately.

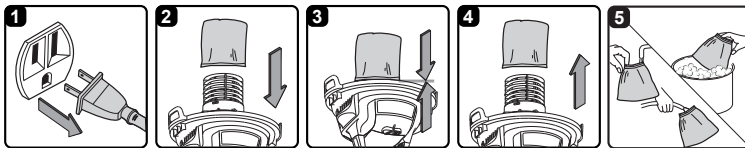
STORAGE

Before storing your vacuum, the collection tank should be emptied and cleaned. The accessories should be cleaned and stored so they can be readily available when needed. Store the wet/dry vacuum indoors.

REPAIRS

Repairs for this wet/dry vacuum should be performed only by qualified service personnel using only identical replacement parts.

INSTALLING & CLEANING CARTRIDGE FILTER

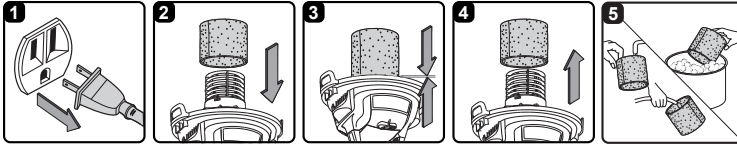


INSTALLING REUSABLE CLOTH FILTER

1. Verify that the power cord is disconnected from the outlet (Fig. 1).
2. Remove the power head and place in an upside down position.
3. Install the reusable cloth filter over the filter cage making sure the cage is completely covered (Fig. 2 & 3).
4. Place the power head back onto the collection tank.

REMOVING & CLEANING REUSABLE CLOTH FILTER

1. With the removed power head in an upside down position, carefully remove the reusable cloth filter from the filter cage (Fig. 4).
2. Clean the reusable cloth filter by gently tapping or brushing dirt off. Cleaning should not be done indoors in living areas. For optimal performance a new filter is recommended.
3. Use a mild soap and water solution to wash reusable cloth filter and rinse with clean water (Fig. 5).
4. Allow the wet filter to air dry for 24 hours before installing onto the filter cage.



INSTALLING FOAM WET FILTER

1. Verify that the power cord is disconnected from the outlet (Fig. 1).
2. Remove the power head and place in an upside down position. Follow instructions to remove the reusable cloth filter on page 13.
3. Carefully slide the foam wet filter down over the filter cage making sure the cage is completely covered (Fig. 2 & 3).
4. Place the power head onto the collection tank.

CLEANING FOAM WET FILTER

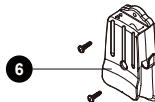
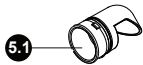
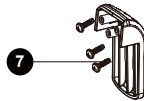
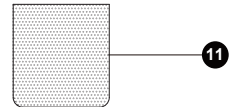
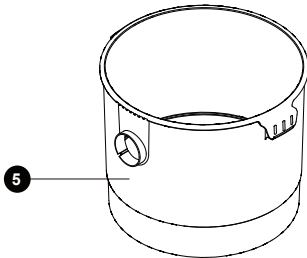
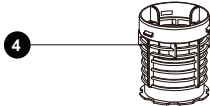
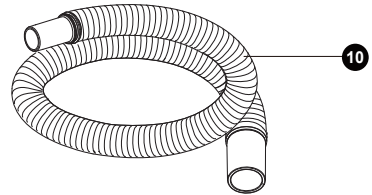
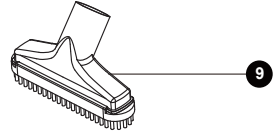
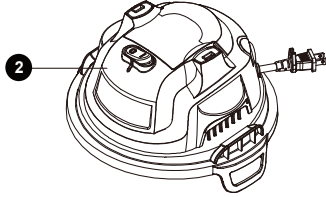
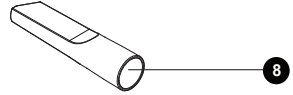
1. With the removed power head in an upside down position, carefully remove the foam wet filter (Fig. 4).
2. Use a mild soap and water solution to wash the foam wet filter and rinse with clean water (Fig. 5).
3. Allow the wet filter to air dry for 24 hours before installing onto the filter cage.

**WARNING**

TO REDUCE THE RISK OF ELECTRIC SHOCK, UNPLUG BEFORE TROUBLESHOOTING.

PROBLEM	POSSIBLE CAUSE	SOLUTION
The wet/dry vacuum will not operate.	No power supply.	Check the power supply, cord, breakers, and fuses.
	Faulty power cord.	Unplug and check the power cord. If damaged, have it repaired by a professional.
	Collection tank is full.	Empty the collection tank.
	Switch in the wrong position.	Press the ON 'I' button on the power head.
The dust comes out from the motor cover.	The reusable cloth filter is missing or damaged.	Attach or replace the reusable cloth filter.
Reduced efficiency and motor/speed vibration.	There are blockages in the nozzle, hose, or the collection tank inlets.	Unplug and check nozzle, hose and collection tank inlets for blockages.
	The reusable cloth filter is clogged by fine dust.	Take off the filter and clean it or install a new reusable cloth filter.

EXPLODED VIEW



PARTS LIST

Part	Drawing Number	Description	Quantity
1	551012101	Handle	1
2		Power Head	1
3	551012115	Float	1
4	551012116	Filter Cage	1
5		Collection Tank	1
6	551012104	Vacuum Port	1
7	551012107	Wall Mount Hook Assembly	1
8	551098111	Wall Mount Bracket Assembly	1
9	551012109	Crevice Tool	1
10	551004113	Utility Nozzle	1
11	551009111	Foam Wet Filter	1
12	551012110	Reusable Cloth Filter	1
13	551012108	Hose	1

For Service or Questions:
Call 877-806-9067



BLACK DIAMOND™ is a trademark of Mid-States Distributing, LLC.
© Mid-States Distributing, LLC. Manufactured for and distributed by
Mid-States Distributing, LLC. Fort Worth, TX 76137 USA.