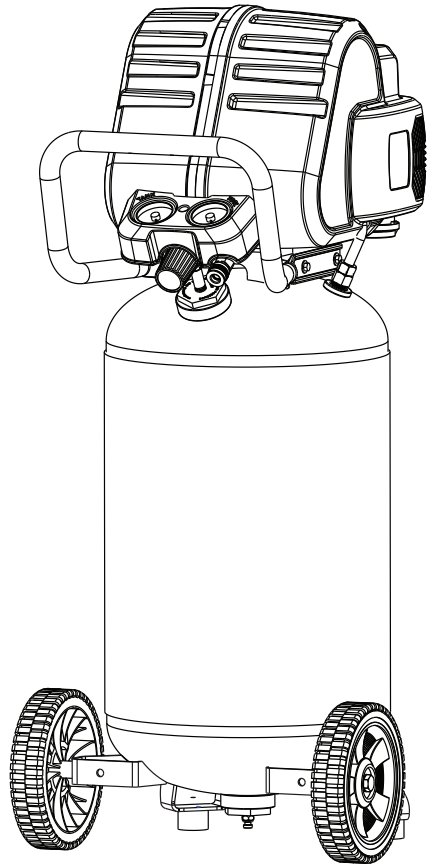


**Owner's Manual**  
**AIR COMPRESSOR**  
**15-gallon**  
**1.7 HP**  
**Oil-Free, UMC**  
**Model No. C151BD**  
**U3A2251BD**  
**Type No. 2**



**CAUTION:**

Before using this product, read this manual and follow all its Safety Rules and Operating Instructions.

- **Safety Instructions**
- **Installation & Operation**
- **Maintenance & Storage**
- **Troubleshooting Guide**
- **Parts List**
- **Español, p. 22**
- **French, p. 45**

# TABLE OF CONTENTS

	Page
Warranty . . . . .	see below
Safety Symbols . . . . .	3
Important Safety Instructions & Guidelines . . . . .	3
Hazard . . . . .	4-9
Specifications . . . . .	9
Glossary . . . . .	9-10
Duty Cycle . . . . .	10
Overview . . . . .	11
Assembly . . . . .	12
Installation . . . . .	13-14
Operating Procedures . . . . .	15
Maintenance . . . . .	16
Storage . . . . .	16
Troubleshooting Guide . . . . .	17-18
Parts List . . . . .	19-21
Spanish . . . . .	22
French . . . . .	45
Service Number . . . . .	back cover

## TWO YEAR LIMITED WARRANTY

**What Does This Warranty Cover?** The Company warrants from the date of purchase by the original retail purchaser only, parts and labor to remedy substantial defects found in materials, or workmanship.

**How Long Does The Coverage Last?** The duration of this warranty is Two Years. This warranty is not transferable to subsequent owners.

**What The Company Will Do:** The Company will cover parts and labor to remedy substantial defects due to materials and workmanship during the first year of ownership, with the exceptions noted below, and parts only, to remedy substantial defects due to material and workmanship for the remaining term of coverage with the exceptions noted below. Parts used in repair of whole goods or accessories are warranted for the balance of the original warranty period.

**What is Not Covered Under This Warranty?** Failure by the original retail purchaser to install, maintain, and operate said equipment in accordance with standard industry practices. Modifications to the product, or tampering with components, or failure to comply with the specific recommendations of the Company set forth in the owner's manual, will render this warranty null and void. The Company shall not be liable for any repairs, replacements, or adjustments to the equipment, or any costs for labor performed by the purchaser without the Company's prior written approval. The effects of corrosion, erosion, surrounding environmental conditions, cosmetic defects, and routine maintenance items, are specifically excluded from this warranty. Routine maintenance items such as: oil, lubricants, and air filters, as well as changing oil, air filters, belt tensioning, etc., fall under the owner's responsibility. Additional exclusions include: freight damage, failures resulting from neglect, accident, or abuse, induction motors when operated from a generator, oil leaks, air leaks, oil consumption, leaky fittings, hoses, drain valves, bleeder tubes, and transfer tubes.

- If the compressor is used for commercial, industrial, or military applications, the warranty will apply for 90 days from the date of purchase. Two stage compressors are not limited to a 90 day warranty when used in commercial or industrial applications.
- Rental applications render this warranty null and void.
- The following components are considered normal wear items and are not covered after the first year of ownership: Belts, sheaves, flywheels, check valves, pressure switches, air unloaders, throttle controls, electric motors, brushes, regulators, o-rings, pressure gauges, tubing, piping, fittings, fasteners, wheels, quick couplers, gaskets, seals, air filter housings, piston rings, connecting rods, and piston seals.
- Labor, service calls, and travel charges, are not covered after the first year of ownership on stationary compressors (compressors without handles, or wheels). Repairs requiring overtime, weekend rates, or any other charges beyond the standard shop labor rate are not covered.
- Time required for orientation training for the service center to gain access to the product, or additional time due to inadequate egress.
- Damage caused by incorrect voltage, improperly wired, or failure to have a certified licensed electrician install the compressor, will render this warranty null and void.
- Damage caused from inadequate filter maintenance.
- Pump wear or valve damage caused by using oil not specified.
- Pump wear or damage caused by any oil contamination.
- Pump wear or valve damage caused by failure to follow proper maintenance guidelines.
- Operation below proper oil level or operation without oil.
- Gas Engines, if product is equipped with a gas engine, see engine manual for specific engine manufacturer's warranty coverage.

**Parts purchased separately:** The warranty for parts purchased separately such as: pumps, motors, etc., are as follows:

**From Date of Purchase:**

- |  |         |
|--|---------|
| • All single & two stage pumps   | 1 year  |
| • Electric motors  | 90 days |
| • Universal motor/pump   | 30 days |
| • All other parts  | 30 days |
| • No return authorization will be issued for electrical components once items are installed. |         |

**How do You Get Service?** In order to be eligible for service under this warranty you must be the original retail purchaser, and provide proof of purchase from one of the Company's dealers, distributors, or retail outlet stores. Portable compressors or components must be delivered, or shipped, to the nearest Authorized Service Center. All associated freight costs and travel charges must be borne by the consumer. Please call our toll free number 1-888-895-4549 for assistance.

**THIS WARRANTY GIVES YOU SPECIFIC LEGAL RIGHTS, AND YOU MAY ALSO HAVE OTHER RIGHTS WHICH VARY FROM STATE TO STATE. THE COMPANY MAKES NO OTHER WARRANTY OR REPRESENTATION OF ANY KIND WHATSOEVER, EXPRESSED OR IMPLIED, EXCEPT THAT OF TITLE. ALL IMPLIED WARRANTIES, INCLUDING ANY WARRANTY OF MERCHANTABILITY AND FITNESS FOR PARTICULAR PURPOSE ARE HEREBY DISCLAIMED. LIABILITY FOR CONSEQUENTIAL AND INCIDENTAL DAMAGES UNDER ANY AND ALL WARRANTIES, OTHER CONTRACTS, NEGLIGENCE, OR OTHER TORTS IS EXCLUDED TO THE EXTENT EXCLUSION IS PERMITTED BY LAW.**

## GENERAL SAFETY RULES

This manual contains information that is important for you to know and understand. This information relates to protecting YOUR SAFETY and PREVENTING EQUIPMENT PROBLEMS. To help you recognize this information, we use the symbols below. Please read the manual and pay attention to these symbols.

<p><b>⚠ DANGER:</b> Indicates an imminently hazardous situation which, if not avoided, <b>will</b> result in <b>death or serious injury</b>.</p>	<p><b>⚠ CAUTION:</b> Indicates a potentially hazardous situation which, if not avoided, <b>may</b> result in <b>minor or moderate injury</b>.</p>
<p><b>⚠ WARNING:</b> Indicates a potentially hazardous situation which, if not avoided, <b>could</b> result in <b>death or serious injury</b>.</p>	<p><b>NOTICE :</b> Indicates a practice <b>not related to personal injury</b> which, if not avoided, <b>may</b> result in <b>property damage</b>.</p>

## IMPORTANT SAFETY INSTRUCTIONS

**⚠ WARNING:** CONTAINS LEAD. May be harmful if eaten or chewed. May generate dust containing lead. Wash hands after use. Keep out of reach of children.

**⚠ WARNING:** This product can expose you to chemicals including lead, which is known to the State of California to cause cancer and birth defects or other reproductive harm. For more information go to [www.P65Warnings.ca.gov](http://www.P65Warnings.ca.gov)

**⚠ WARNING:** To reduce the risk of injury, read the instruction manual.



## SAVE THESE INSTRUCTIONS

## HAZARD



**⚠ DANGER:** RISK OF EXPLOSION OR FIRE

WHAT CAN HAPPEN	HOW TO PREVENT IT
<ul style="list-style-type: none"> <li>It is normal for electrical contacts within the motor and pressure switch to spark.</li> </ul>	<ul style="list-style-type: none"> <li>Always operate the compressor in a well ventilated area free of combustible materials, gasoline, or solvent vapors.</li> </ul>
<ul style="list-style-type: none"> <li>If electrical sparks from compressor come into contact with flammable vapors, they may ignite, causing fire or explosion.</li> </ul>	<ul style="list-style-type: none"> <li>If spraying flammable materials, locate compressor at least 20' (6.1 m) away from spray area. An additional length of air hose may be required.</li> <li>Store flammable materials in a secure location away from compressor.</li> </ul>

<ul style="list-style-type: none"> <li>Restricting any of the compressor ventilation openings will cause serious overheating and could cause fire.</li> </ul>	<ul style="list-style-type: none"> <li>Never place objects against or on top of compressor.</li> <li>Operate compressor in an open area at least 12" (30.5 cm) away from any wall or obstruction that would restrict the flow of fresh air to the ventilation openings.</li> <li>Operate compressor in a clean, dry well ventilated area. Do not operate unit in any confined area. Store indoors.</li> </ul>
<ul style="list-style-type: none"> <li>Unattended operation of this product could result in personal injury or property damage. To reduce the risk of fire, do not allow the compressor to operate unattended.</li> </ul>	<ul style="list-style-type: none"> <li>Always remain in attendance with the product when it is operating.</li> <li>Always turn off and unplug unit when not in use.</li> </ul>

## HAZARD



**▲ DANGER:**

### RISK TO BREATHING (ASPHYXIATION)

WHAT CAN HAPPEN	HOW TO PREVENT IT
<ul style="list-style-type: none"> <li>The compressed air directly from your compressor is not safe for breathing. The air stream may contain carbon monoxide, toxic vapors, or solid particles from the air tank. Breathing these contaminants can cause serious injury or death.</li> </ul>	<ul style="list-style-type: none"> <li>Never use air obtained directly from the compressor to supply air for human consumption. The compressor is not equipped with suitable filters and in-line safety equipment for human consumption.</li> </ul>
<ul style="list-style-type: none"> <li>Exposure to chemicals in dust created by power sanding, sawing, grinding, drilling, and other construction activities may be harmful.</li> <li>Sprayed materials such as paint, paint solvents, paint remover, insecticides, weed killers, may contain harmful vapors and poisons.</li> </ul>	<ul style="list-style-type: none"> <li>Work in an area with good cross ventilation. Read and follow the safety instructions provided on the label or safety data sheets for the materials you are spraying. Always use certified safety equipment: NIOSH/OSHA respiratory protection or properly fitting face mask designed for use with your specific application.</li> </ul>

# HAZARD



## ⚠ WARNING: RISK OF BURSTING

**Air Tank:** On February 26, 2002, the U.S. Consumer Product Safety Commission published Release # 02-108 concerning air compressor tank safety:

Air compressor receiver tanks do not have an infinite life. Tank life is dependent upon several factors, some of which include operating conditions, ambient conditions, proper installations, field modifications, and the level of maintenance. The exact effect of these factors on air receiver life is difficult to predict.

If proper maintenance procedures are not followed, internal corrosion to the inner wall of the air receiver tank can cause the air tank to unexpectedly rupture allowing pressurized air to suddenly and forcefully escape, posing risk of injury to consumers.

The following conditions could lead to a weakening of the air tank, and result in a violent air tank explosion:

WHAT CAN HAPPEN	HOW TO PREVENT IT
<ul style="list-style-type: none"><li>• Failure to properly drain condensed water from air tank causes rust and thinning of the steel air tank.</li></ul>	<ul style="list-style-type: none"><li>• Drain air tank daily or after each use. If air tank develops a leak, replace it immediately with a new air tank or replace the entire compressor.</li></ul>
<ul style="list-style-type: none"><li>• Modifications or attempted repairs to the air tank.</li></ul>	<ul style="list-style-type: none"><li>• Never drill into, weld, or make any modifications to the air tank or its attachments. Never attempt to repair a damaged or leaking air tank. Replace with a new air tank.</li></ul>
<ul style="list-style-type: none"><li>• Unauthorized modifications to the safety valve or any other components which control air tank pressure.</li></ul>	<ul style="list-style-type: none"><li>• The air tank is designed to withstand specific operating pressures. Never make adjustments or parts substitutions to alter the factory set operating pressures.</li></ul>

### Attachments & accessories:

<ul style="list-style-type: none"><li>• Exceeding the pressure rating of air tools, spray guns, air operated accessories, tires, and other inflatables can cause them to explode or fly apart, and could result in serious injury.</li></ul>	<ul style="list-style-type: none"><li>• Follow the equipment manufacturers recommendation and never exceed the maximum allowable pressure rating of attachments. Never use compressor to inflate small low pressure objects such as children's toys, footballs, basketballs, etc.</li></ul>
--	---

## HAZARD



### ⚠ WARNING: RISK OF ELECTRICAL SHOCK

WHAT CAN HAPPEN	HOW TO PREVENT IT
<ul style="list-style-type: none"> <li>Your compressor is powered by electricity. Like any other electrically powered device, if it is not used properly it may cause electric shock.</li> </ul>	<ul style="list-style-type: none"> <li>Never operate the compressor outdoors when it is raining or in wet conditions.</li> <li>Never operate compressor with protective covers removed or damaged.</li> </ul>
<ul style="list-style-type: none"> <li>Repairs attempted by unqualified personnel can result in serious injury or death by electrocution.</li> </ul>	<ul style="list-style-type: none"> <li>Any electrical wiring or repairs required on this product should be performed by authorized service center personnel in accordance with national and local electrical codes.</li> </ul>
<ul style="list-style-type: none"> <li><b>Electrical Grounding:</b> Failure to provide adequate grounding to this product could result in serious injury or death from electrocution. Refer to <b>Grounding Instructions</b> paragraph in the <i>Installation</i> section.</li> </ul>	<ul style="list-style-type: none"> <li>Make certain that the electrical circuit to which the compressor is connected provides proper electrical grounding, correct voltage and adequate fuse protection.</li> </ul>

## HAZARD



### ⚠ WARNING: RISK FROM FLYING OBJECTS

WHAT CAN HAPPEN	HOW TO PREVENT IT
<ul style="list-style-type: none"> <li>The compressed air stream can cause soft tissue damage to exposed skin and can propel dirt, chips, loose particles, and small objects at high speed, resulting in property damage or personal injury.</li> </ul>	<ul style="list-style-type: none"> <li>Always wear certified safety equipment: ANSI Z87.1 eye protection (CAN/CSA Z94.3) with side shields when using the compressor.</li> <li>Never point any nozzle or sprayer toward any part of the body or at other people or animals.</li> <li>Always turn the compressor off and bleed pressure from the air hose and air tank before attempting maintenance, attaching tools or accessories.</li> </ul>

## HAZARD



### **⚠ WARNING:** RISK OF HOT SURFACES

WHAT CAN HAPPEN	HOW TO PREVENT IT
<ul style="list-style-type: none"><li>• Touching exposed metal such as the compressor head, engine head, engine exhaust or outlet tubes, can result in serious burns.</li></ul>	<ul style="list-style-type: none"><li>• Never touch any exposed metal parts on compressor during or immediately after operation. Compressor will remain hot for several minutes after operation.</li><li>• Do not reach around protective shrouds or attempt maintenance until unit has been allowed to cool.</li></ul>

## HAZARD



### **⚠ WARNING:** RISK FROM MOVING PARTS

WHAT CAN HAPPEN	HOW TO PREVENT IT
<ul style="list-style-type: none"><li>• Moving parts such as the pulley, flywheel, and belt can cause serious injury if they come into contact with you or your clothing.</li></ul>	<ul style="list-style-type: none"><li>• Never operate the compressor with guards or covers which are damaged or removed.</li><li>• Keep your hair, clothing, and gloves away from moving parts. Loose clothes, jewelry, or long hair can be caught in moving parts.</li><li>• Air vents may cover moving parts and should be avoided as well.</li></ul>
<ul style="list-style-type: none"><li>• Attempting to operate compressor with damaged or missing parts or attempting to repair compressor with protective shrouds removed can expose you to moving parts and can result in serious injury.</li></ul>	<ul style="list-style-type: none"><li>• Any repairs required on this product should be performed by authorized service center personnel.</li></ul>

## HAZARD



### **⚠ WARNING:** RISK OF UNSAFE OPERATION

WHAT CAN HAPPEN	HOW TO PREVENT IT
<ul style="list-style-type: none"><li>• Unsafe operation of your compressor could lead to serious injury or death to you or others.</li></ul>	<ul style="list-style-type: none"><li>• Review and understand all instructions and warnings in this manual.</li><li>• Become familiar with the operation and controls of the air compressor.</li><li>• Keep operating area clear of all persons, pets, and obstacles.</li><li>• Keep children away from the air compressor at all times.</li><li>• Do not operate the product when fatigued or under the influence of alcohol or drugs. Stay alert at all times.</li><li>• Never defeat the safety features of this product.</li><li>• Equip area of operation with a fire extinguisher.</li><li>• Do not operate machine with missing, broken, or unauthorized parts.</li></ul>

## HAZARD



### **⚠ WARNING:** RISK OF FALLING

WHAT CAN HAPPEN	HOW TO PREVENT IT
<ul style="list-style-type: none"><li>• A portable compressor can fall from a table, workbench, or roof causing damage to the compressor and could result in serious injury or death to the operator.</li></ul>	<ul style="list-style-type: none"><li>• Always operate compressor in a stable secure position to prevent accidental movement of the unit. Never operate compressor on a roof or other elevated position. Use additional air hose to reach high locations.</li></ul>



## HAZARD



### ⚠️ **WARNING:** RISK OF INJURY FROM LIFTING

WHAT CAN HAPPEN	HOW TO PREVENT IT
<ul style="list-style-type: none"><li>• Serious injury can result from attempting to lift too heavy an object.</li></ul>	<ul style="list-style-type: none"><li>• The compressor is too heavy to be lifted by one person. Obtain assistance from others before lifting.</li></ul>



### ⚠️ **CAUTION:** RISK FROM NOISE

WHAT CAN HAPPEN	HOW TO PREVENT IT
<ul style="list-style-type: none"><li>• Under some conditions and duration of use, noise from this product may contribute to hearing loss.</li></ul>	<ul style="list-style-type: none"><li>• Always wear certified safety equipment: ANSI S12.6 (S3.19) hearing protection.</li></ul>

## SAVE THESE INSTRUCTIONS FOR FUTURE USE

## SPECIFICATION CHART

<b>Model No.</b>	<b>C151BD</b>
Running Horsepower	1.7 *
Bore	2.875" (73.025 mm)
Stroke	1.45" (36.83 mm)
Voltage	120
Hz-Single Phase	60
Minimum Branch Circuit Requirement	15 amps
Fuse Type	Time Delay
Air Tank Capacity (Gallon)	15 (56.8 liters)
Maximum Air Pressure	225 PSI
Approximate Cut-in Pressure	175 PSIG
Approximate Cut-out Pressure	225 PSIG
SCFM @ 40 PSI	6.8 *
SCFM @ 90 PSI	5.1 *

\* Tested per ISO 1217

Refer to Glossary for abbreviations.

## GLOSSARY

### **Air Filter**

Porous element contained within a metal or plastic housing attached to the compressor cylinder head which removes impurities from the intake air of the compressor.

### **Air Tank**

Cylindrical component which contains the compressed air.

### **Check Valve**

Device that prevents compressed air from flowing back from the air tank to the compressor pump.

### **Cut-In Pressure**

The low pressure at which the motor will automatically restart.

### **Cut-Off Pressure**

The high pressure at which the motor will automatically shut off.

### **Electric Motor**

Device which provides the rotational force necessary to operate the compressor pump.

**NPT (National Pipe Thread)**

A seal thread tape must be used to provide a leak-free seal on pipe threaded connections.

**Pressure Regulator Knob**

Regulates the outgoing pressure from the air outlet to the tool. It is possible to increase or decrease the pressure at the outlet by adjusting this control knob.

**Pressure Switch**

Automatically controls the on/off cycling of the compressor. It stops the compressor when the cut-off pressure in the tank is reached and starts the compressor when the air pressure drops below the cut-in pressure. The pressure switch will not automatically start and control the compressor unless the manual AUTO/Off Switch is in the AUTO position.

**PSI (Pounds Per Square Inch)**

Measurement of the pressure exerted by the force of the air. The actual PSI is measured by a pressure gauge on the compressor.

**Pump**

Produces the compressed air with a reciprocating piston contained within the cylinder.

**Regulator Pressure Gauge**

Displays the current line pressure. Line pressure is adjusted by rotating the pressure regulator knob.

**Pressure Relief Valve**

Prevents air pressure in the air tank from rising over a predetermined limit.

**SCFM (Standard Cubic Feet Per Minute)**

A unit of measure of air delivery.

**Tank Pressure Gauge**

Indicates the pressure in the air tank.

**Thermal Overload Switch**

Automatically shuts off the compressor if the temperature of the electric motor exceeds a predetermined limit.

## DUTY CYCLE

This air compressor pump is capable of running continuously. However, to prolong the life of your air compressor, it is recommended that a 50%-75% average duty cycle be maintained; that is, the air compressor pump should not run more than 30-45 minutes in any given hour.

## ACCESSORIES

Accessories for this unit are available at the store the unit was purchased.

**⚠ WARNING:**

**The use of any other accessory not recommended for use with this tool could be hazardous. Use only accessories rated equal to or higher than the rating of the air compressor.**

# OVERVIEW

## Power Switch

This controls the power to the motor and also the cut-in/cut-out pressure settings. This switch serves as the Auto-On/Off positions for the unit.



## Air Intake Filter

Provides clean air to the pump and must always be kept free of debris. Check on a daily basis or before each use.



## Tool Pressure Gauge

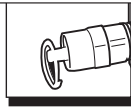
Indicates the outgoing air pressure to the tool and is controlled by the regulator.

## Tank Pressure Gauge

Indicates the reserve air pressure in the tank.

## Tank Safety Valve

Used to allow excess tank pressure to escape into the atmosphere. This valve should only open when the tank pressure is above the maximum rated pressure.

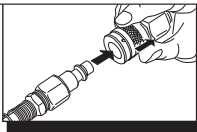


## Regulator

The air pressure coming from the air tank is controlled by the regulator. To increase the pressure, turn the knob clockwise, and to decrease the pressure, turn the knob counter-clockwise.

## Quick Connect

Offers a quick release feature for attaching and removing the air hose.



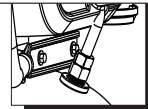
## Tank Drain Valve

Used to drain condensation from the air tank. Located at bottom of tank.

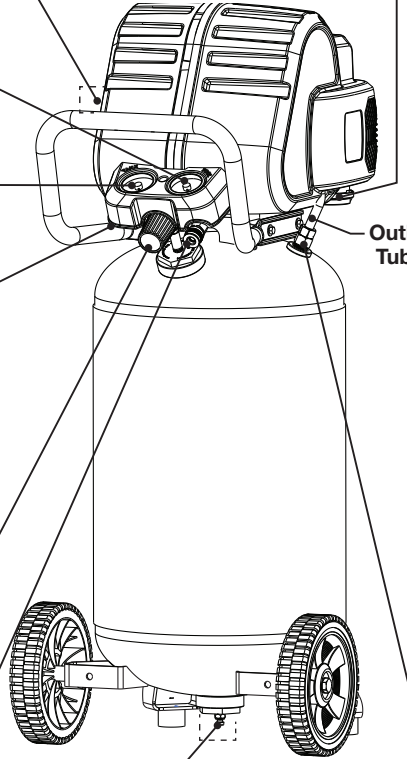


## Check Valve

When the pump is not in operation the valve closes to retain air pressure inside the tank. An internal component.



Outlet Tube



# ASSEMBLY

## ASSEMBLING THE COMPRESSOR

### **▲ WARNING**

The air compressor should be turned off, unplugged from the power source, the air bled from the tank and the unit allowed time to cool before any maintenance is performed. Personal injuries could occur from moving parts, electrical sources, compressed air or hot surfaces. The quick connect assembly must be attached before use. Failure to assemble correctly could result in leaks and possible injury. If unsure of assembly instructions or you experience difficulty in the assembly please call your local service department for further information.

1. Unpack the air compressor. Inspect the unit for damage. If the unit has been damaged in transit, contact the carrier and complete a damage claim. Do this immediately because there are time limitations to damage claims.
2. Check the compressor's serial label to ensure that you have received the model ordered, and that it has the required pressure rating for its intended use.
3. Locate the compressor according to the following guidelines:
  - a. Position the compressor near a grounded electrical outlet.
  - b. The compressor must be at least 12 inches (31 cm) from any wall or obstruction, in a clean, well-ventilated area, to ensure sufficient air flow and cooling.
  - c. In cold climates, store portable compressors in a heated building when not in use. This will reduce problems with motor starting and freezing of water condensation.
  - d. Remove the compressor from the carton and place it on the floor or a hard, level surface. The compressor must be level to ensure proper drainage of the moisture in the tank.

# INSTALLATION

## GETTING STARTED

### Location of the Air Compressor

The air compressor should always be located in a clean, dry and well ventilated environment. The unit should have at minimum, 12 inches of space on each side. The air filter intake should be free of any debris or obstructions. Check the air filter on a daily basis to make sure it is clean and in working order.

### Risk Of Fire Or Explosion

This product incorporates snap action switch contacts and a universal electric motor which tends to produce arcs and sparking and therefore should not be exposed to flammable liquids or vapors. This product is not intended for installation or use in a commercial garage or shop environment.

### Grounding Instructions

This product must be grounded. In the event of an electrical short circuit, grounding reduces the risk of electric shock by providing an escape wire for the electric current. This product is equipped with a cord having a grounding wire with an appropriate grounding plug (See Figure 3). The plug must be plugged into an outlet that is properly installed and grounded in accordance with all local codes and ordinances. Check with a qualified electrician or service personnel if these instructions are not completely understood or if in doubt as to whether the tool is properly grounded.



#### **▲ WARNING:**

Improper installation of the grounding plug will result in a risk of electric shock. If repair or replacement of the cord or plug is necessary, do not connect the grounding wire to either flat blade terminal. The wire with insulation having an outer surface that is green

with or without yellow stripes is the grounding wire. Substitution of the signal word “DANGER” for “WARNING” is not prohibited when the risk associated with the product is such that a situation exists which if not avoided will result in death or serious injury. Check with a qualified electrician or serviceman if the grounding instructions are not completely understood, or if in doubt as to whether the product is properly grounded. Do not modify the plug provided; if it will not fit the outlet, have the proper outlet installed by a qualified electrician.

This product is for use on a nominal 120-V circuit and has a grounding plug similar to the plug illustrated in (Figure 3). Only connect the product to an outlet having the same configuration as the plug. Do not use an adapter with this product.

# INSTALLATION

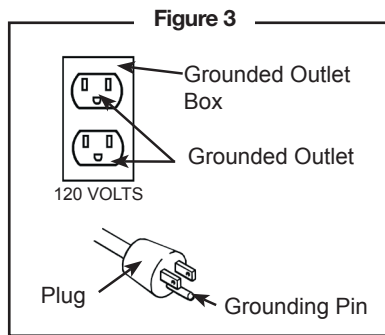
## GETTING STARTED

### Extension Cords

Use only a 3-wire extension cord that has a 3-blade grounding plug, and a 3-slot receptacle that will accept the plug on the product. Make sure your extension cord is in good condition. When using an extension cord, be sure to use one heavy enough to carry the current your product will draw. Cords must not exceed 400 feet and No.12 AWG size must be used. An undersized cord will cause a drop in line voltage resulting in loss of power and overheating.

### Break In Procedures

No break in procedure is required by the user. This product is factory tested to ensure proper operation and performance.

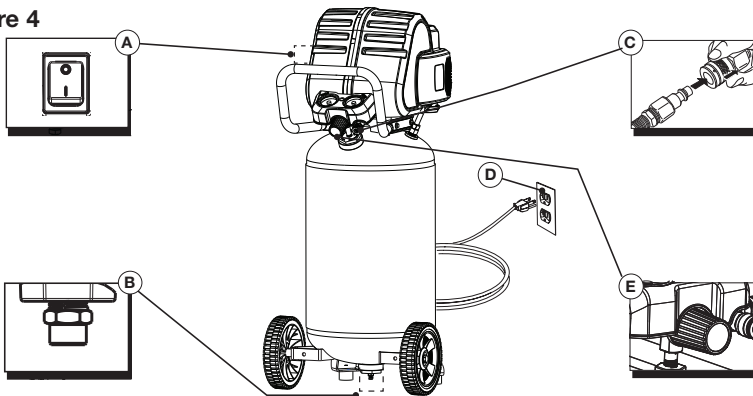


# OPERATING PROCEDURES

## DAILY STARTUP (Figure 4)

1. Set the Power Switch to the Off position. (A)
2. Inspect the air compressor, air hose, and any accessories/tools being used for damage or obstruction. If any of these mentioned items are in need of repair/replacement, contact your local authorized dealer before use.
3. Close the drain valve. (B)
4. Connect the air hose to the quick connect socket on the regulator assembly by inserting the quick connect plug on the air hose into the quick connect socket. The quick connect socket collar will snap forward and lock the plug into place providing an air tight seal between the socket and plug. To release the air hose push the collar back on the quick connect socket. (C)
5. Plug the power cord into the proper receptacle. (D)
6. Turn the Power Switch to the On position and the compressor will start and build air pressure in the tank to cut-out pressure and then shut off automatically. (A)
7. Adjust the regulator to a PSI setting that is needed for your application and be sure it is within the safety standards required to perform the task. If using a pneumatic tool, the manufacturer should have recommendations in the manual for that particular tool on operating PSI settings. (E)

Figure 4



## SHUTDOWN (Figure 4)

1. Set the Power Switch to the Off position. (A)
2. Unplug the power cord from the receptacle. (D)
3. Set the outlet pressure to zero on the regulator. (E)
4. Remove any air tools or accessories.
5. Open the drain valve allowing air to bleed from the tank. After all of the air has bled from the tank, close the drain valve to prevent debris buildup in the valve. (B)

### **▲ CAUTION**

When draining the tank, always use ear and eye protection. Drain the tank in a suitable location; condensation will be present in most cases of draining.

### **▲ WARNING**

Water that remains in the tank during storage will corrode and weaken the air tank which could cause the tank to rupture. To avoid serious injury, be sure to drain the tank after each use or daily.

# MAINTENANCE

**▲ WARNING** To avoid personal injury, always shut off and unplug the compressor and relieve all air pressure from the system before performing any service on the air compressor.

**▲ WARNING** To ensure efficient operation and longer life of the air compressor unit, a routine maintenance schedule should be followed. The following schedule is geared toward a consumer whose compressor is used in a normal working environment on a daily basis.

**▲ CAUTION** This compressor is equipped with an automatic reset thermal overload protector which will shut off motor if it becomes overheated. If the thermal overload protector is actuated, the motor must be allowed to cool down before start-up is possible.

**NOTE:** The motor will automatically restart without warning if the unit is left plugged in to an outlet with the Auto-On/Off switch in the on position.

Maintenance Schedule	
Items to Check/Change	Before each use or daily
Check Tank Safety Valve	X
Overall Unit Visual Check	X
Drain Tank	X
Check Power Cord for Damage	X

## DRAINING THE TANK

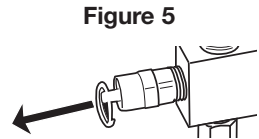
**▲ WARNING** Condensation will accumulate in the tank. To prevent corrosion of the tank from the inside, this moisture must be drained at the end of every workday. Be sure to wear protective eyewear and hearing protection. Relieve the air pressure in the system and open the drain valve on the bottom of the tank and tilt tank to drain.

**NOTE:** In cold climates, drain the tank after each use to reduce problems with freezing of water condensation.

## CHECKING THE SAFETY VALVE (Figure 5)

Wear hearing and eye protection prior to performing the below steps.

1. Set the ON ( I ) / OFF ( O ) switch to the on position, and wait for the tank to fill. The compressor automatically shuts off when the pressure reaches the preset maximum.
2. Set the ON ( I ) / OFF ( O ) switch to the off position.
3. Pull the ring on the safety valve until air discharges from tank, release ring.
4. Air should stop discharging with 20-90 PSI remaining in tank. If safety valve does not allow air to be released when you pull out the ring, or does not close automatically, it must be replaced. Discontinue use and seek service before using air compressor again.






## STORAGE

For storing the air compressor, be sure to do the following:

1. Turn the unit off and unplug the power cord from the receptacle.
2. Remove all air hoses, accessories, and air tools from the air compressor.
3. Perform the daily maintenance schedule.
4. Open the drain valve to bleed all air from the tank.
5. Close the drain valve.
6. Protect the electrical cord and air hose from damage (such as being stepped on or run over). Wind them loosely around the compressor handle.
7. Store the air compressor in a clean and dry location.

## TROUBLESHOOTING

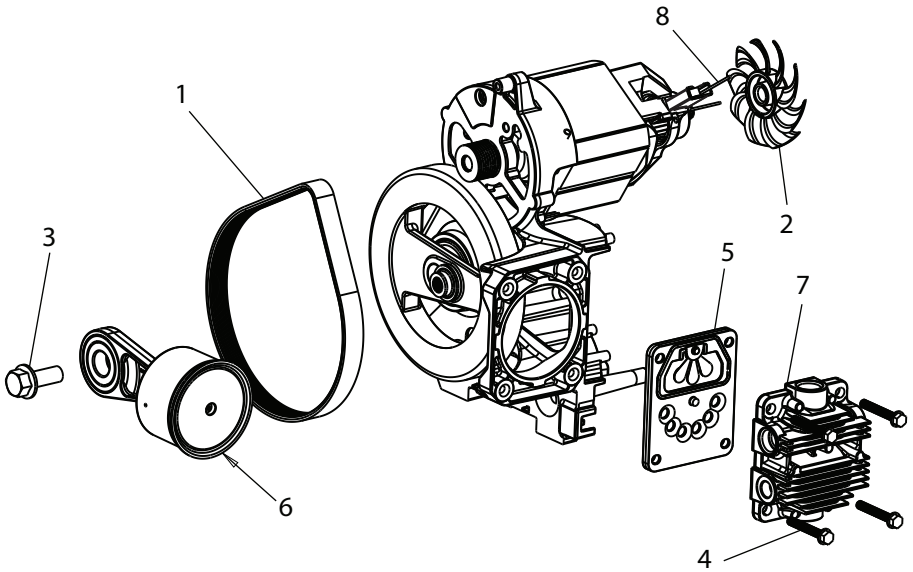
**⚠ WARNING:** Risk of Unsafe Operation. Unit cycles automatically when power is on. When servicing, you may be exposed to voltage sources, compressed air, or moving parts. Before servicing unit unplug or disconnect electrical supply to the air compressor, bleed tank of pressure, and allow the air compressor to cool.

PROBLEM	CAUSE	CORRECTION
	Low pressure or not enough air or Compressor does not stop.	Tank drain valve is open. Close drain valve.
		Fittings leak. Check fittings with soapy water. Tighten or reseal leaking fittings. DO NOT OVERTIGHTEN.
		Restricted air intake. Clean or replace intake filter element.
		Prolonged excessive use of air. Decrease amount of air used.
		Compressor not large enough. Check air requirement of accessory. If it is higher than CFM and pressure supplied by compressor, you need a larger compressor. Most accessories are rated at 25% of actual CFM while running continuously.
		Hole in air hose. Check and replace if necessary.
		Tank leaks. <b>⚠ WARNING:</b> Immediately replace tank. DO NOT attempt to repair.
		Blown seals. Replace seals.
	Valve leaks. Replace seals.	
	Leaking or worn piston. Replace piston.	
Air leaks from regulator, or regulator does not regulate pressure.	Dirty or damaged regulator internal parts.	Replace regulator or internal parts.

<b>PROBLEM</b>	<b>CAUSE</b>	<b>CORRECTION</b>
Regulated pressure gauge reading drops when air accessory is being used.	This is normal.	If pressure drops too low, adjust regulator while accessory is used.
	Compressor not large enough.	Check air requirement of accessory. If it is higher than CFM and pressure supplied by compressor, you need a larger compressor. Most accessories are rated at 25% of actual CFM while running continuously.
Pressure relief valve opens.	Tank pressure exceeded normal operating pressure.	Replace pressure switch.
	Pressure switch stuck.	Replace pressure switch.
Motor will not run.	Tank pressure exceeds preset pressure switch limit.	Motor will start automatically when tank pressure drops below cut-in pressure of pressure tank.
	Make sure the Thermal Overload Switch has not tripped. The motor has a built in thermal cut out that trips when necessary to protect the motor from damage when overheated.	To reset the motor overload toggle turn the Power Switch to the OFF position and unplug the unit from the power outlet. Allow 10 minutes (minimum) for motor overload cut-out to cool and reset. Unit can then be plugged in and re-started.
	Fuse blown or circuit breaker tripped.	<ul style="list-style-type: none"> <li>• Replace blown fuse or reset circuit breaker. Do not use fuse or circuit breaker with higher rating than specified for your branch circuit.</li> <li>• Check for proper fuse; “Fusetron” type T is acceptable.</li> <li>• Check for low voltage and proper extension cord size.</li> <li>• Disconnect other applications from circuit. Operate compressor on a dedicated circuit.</li> </ul>
	Check valve stuck open.	Remove and clean or replace.
	Wrong wire gauge in cord or excessive extension cord length.	Check for proper gauge and extension cord length.
	Loose electrical connections.	Contact authorized service center.
	Paint spray on internal motor parts.	Have checked at service center. Do not operate compressor in the paint spray area.
	Possible defective motor.	Have checked at service center.

# PARTS DRAWING

## PUMP/MOTOR ASSEMBLY

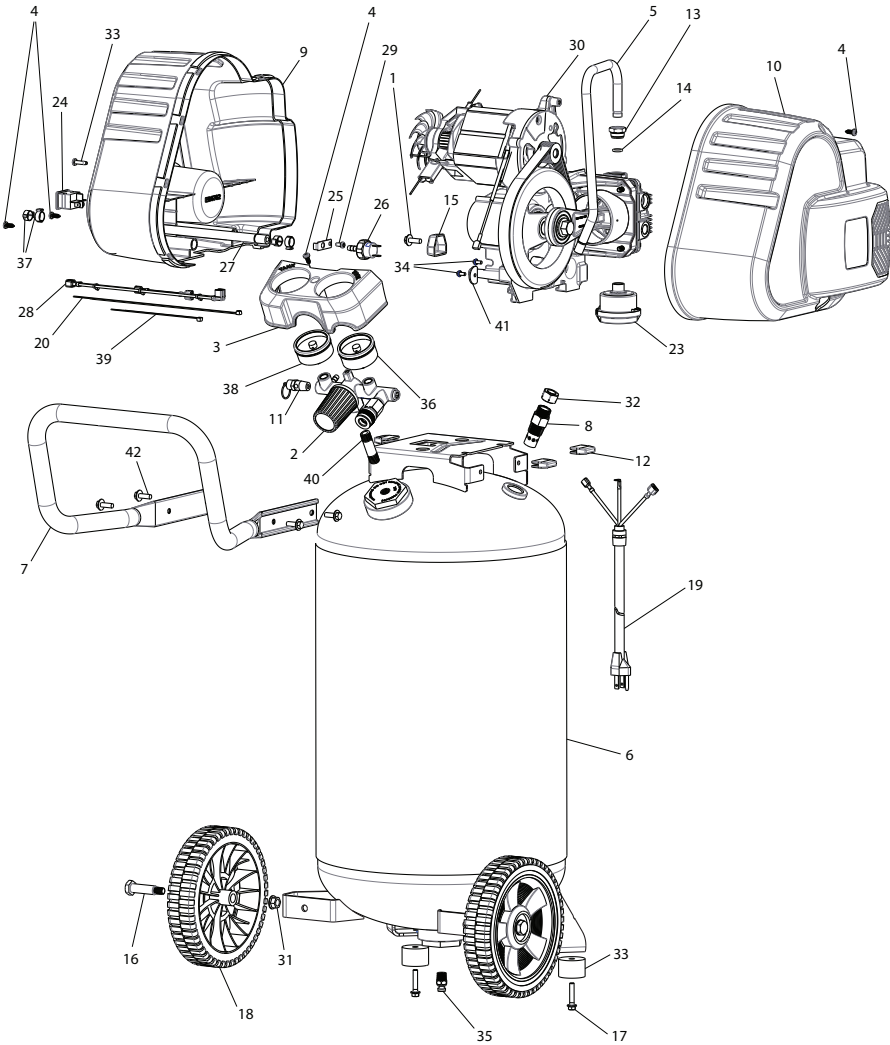


## PARTS LIST

REF. NO	PART NO.	DESCRIPTION	QTY
1	E106664	BELT	1
2	E107844	FAN	1
3	E106668	SCREW .50-20 X 1.25-TORQUE TO 100-120 FT-LBS	1
4	E106669	SCREW .25-20 X 1.75, KIT OF 4-TORQUE TO 10-13 FT-LBS	4
5	E106670	VALVE PLATE ASSEMBLY	1
6	E106671	CONNECTING ROD/CYLINDER ASSEMBLY	1
7	E106672	HEAD	1
8	E109131	MOTOR BRUSH, KIT OF 2	2

# PARTS DRAWING

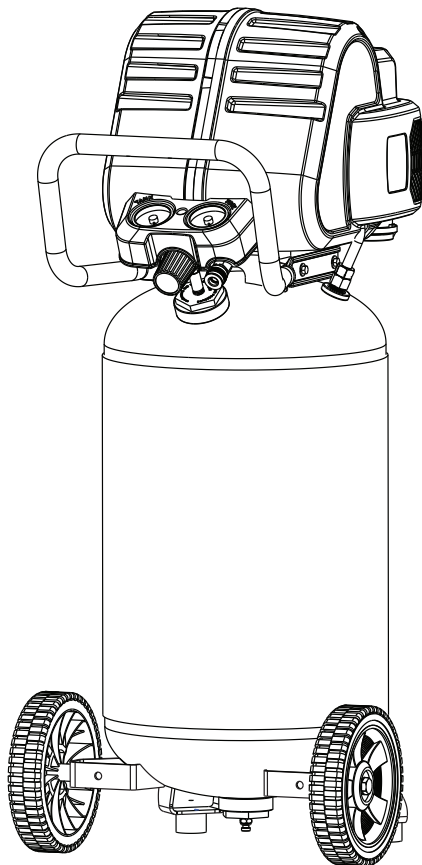
C151BD



## PARTS LIST

REF. NO	PART NO.	DESCRIPTION	QTY
1	E106660	SCREW .25-20 X .75, KIT OF 3-TORQUE TO 9-12 FT-LBS	1
2	E107996	MANIFOLD, INCLUDES ITEM 40	1
3	E106917	CONSOLE COVER	1
4	E106614	SCREW #10-24 X .563, KIT OF 4-TORQUE TO 12-30 IN-LBS	4
5	E107856	OUTLET TUBE	1
6	E112784	TANK, INCLUDES ITEMS 16, 17, 18, 21, 22, 31, 33, 35	1
7	E107848	HANDLE	1
8	E106618	CHECK VALVE	1
*9	E107849	LEFT SHROUD	1
*10	E107850	RIGHT SHROUD	1
11	E107851	SAFETY VALVE	1
12	E106622	ISOLATOR, KIT OF 3	3
13	E106623	TUBE NUT-TORQUE TO 15-25 FT-LBS	1
*14	E106624	O-RING .362 ID X .103 WIDE	1
15	E106625	CUP MOUNT	1
16	E106626	SHOULDER BOLT, KIT OF 2	2
17	E112842	SCREW .25-20 X 1.125, KIT OF 2-TORQUE SNUG	2
18	E107857	WHEEL, KIT OF 2	2
19	E106629	POWER CORD	1
20	E106658	ZIP TIE	1
21	E106630	LABEL HOT SURFACE (NOT SHOWN)	1
22	E106631	LABEL WARNING (NOT SHOWN)	1
23	E106632	FILTER ASSEMBLY	1
24	E106633	ROCKER SWITCH	1
25	E106634	BRACKET MICRO PRESSURE SWITCH	1
26	E107852	PRESSURE SWITCH	1
27	E111189	HOSE	1
28	E106637	JUMPER WIRE ASSEMBLY	1
29	E106638	SCREW #8-16 X .375-TORQUE TO 12-30 IN-LBS	1
30	E107853	PUMP ASSEMBLY	1
31	E106640	NUT .375-16, KIT OF 2	2
32	E106641	NUT AND SLEEVE ASSEMBLY	1
33	E107323	RUBBER BUMPER, KIT OF 2	2
34	E106643	SCREW #8-32 X .375, KIT OF 2-TORQUE TO 40-50 IN-LBS	2
35	E109170	DRAIN VALVE	1
36	E107855	GAUGE 300 PSI .25 NPT	1
37	E106648	HOSE CLAMP, KIT OF 2	4
38	E107854	GAUGE 400 PSI .25 NPT	1
39	E106659	ZIP TIE	1
40	E107858	PIPE NIPPLE .25-18 NPT X 2.0	1
41	E106657	WASHER	1
42	E106660	SCREW .25-20 X .75, KIT OF 3-TORQUE TO 3-5 FT-LBS	4

**Manual del propietario**  
**COMPRESOR DE AIRE**  
**125 litros**  
**1.7 HP**  
**Sin aceite, UMC**  
**Modelo No°. C151BD**  
**U3A2251BD**  
**Tipo No. 2**



**PRECAUCIÓN:**

Antes de utilizar este producto, lea este manual y siga las reglas de seguridad e instrucciones de operación incluidas.

- Instrucciones de seguridad
- Instalación y modo de empleo
- Mantenimiento y almacenamiento
- Diagnóstico y corrección de fallas
- Lista de las piezas

# ÍNDICE DE MATERIAS

Página

Garantía . . . . .	vea abajo
Símbolos de seguridad . . . . .	24
Instrucciones y pautas importantes de seguridad . . . . .	24
Peligro . . . . .	24-30
Especificaciones . . . . .	31
Glosario . . . . .	31-32
Ciclo de servicio . . . . .	32
Descripción general. . . . .	33
Ensamblaje . . . . .	34
Instalación . . . . .	35-36
Procedimientos de operación . . . . .	37
Mantenimiento. . . . .	38
Almacenamiento . . . . .	39
Diagnóstico y corrección de fallas . . . . .	40-41
Lista de las piezas . . . . .	42-44
Número de servicio . . . . .	cubierta trasera

## GARANTÍA LIMITADA DE DOS AÑOS

**¿Qué cubre esta garantía?** La Compañía garantiza a partir de la fecha de compra al menudeo del comprador original solamente, piezas y mano de obra para corregir defectos importantes en los materiales y la fabricación.

**¿Cuánto dura la cobertura?** Esta garantía tiene una duración de dos años y no se puede transferir a propietarios futuros.

**Qué hará La Compañía:** La Compañía se cubren las piezas y mano de obra para remediar los defectos sustanciales debido a los materiales y mano de obra durante el primer año de propiedad, con las excepciones que se indican a continuación, y sólo algunas partes, para remediar los defectos sustanciales debido a materiales y mano de obra durante el plazo restante de la cobertura con las excepciones que se indican a continuación. Las piezas utilizadas en la reparación de los bienes total o accesorios son garantizados por el resto del período de garantía original.

**¿Qué no cubre esta garantía?** Si el comprador al menudeo original no instala, mantiene y opera dicho equipo de acuerdo con las prácticas industriales estándar. Las modificaciones al producto o alteraciones a los componentes, o el incumplimiento con las recomendaciones específicas de la Compañía que se establecen en el manual del propietario, anularán esta garantía. La Compañía no será responsable de reparaciones, reemplazos o ajustes al equipo, ni de costos de mano de obra realizada por el comprador sin la aprobación previa por escrito de la Compañía. Los efectos de la corrosión, erosión, condiciones ambientales circundantes, defectos cosméticos y elementos de mantenimiento de rutina, se excluyen específicamente de esta garantía. Los elementos de mantenimiento de rutina, como aceite, lubricantes y filtros de aire, así como los cambios de aceite, filtros de aire, tensión de bandas, etc., son responsabilidad del propietario. Otras exclusiones incluyen: daños durante el flete, fallas originadas por negligencia, accidente o abuso, motores de inducción cuando es operado desde un generador, filtraciones de aceite, fugas de aire, consumo de aceite, acoples con fugas, mangueras, grifos, tubos de purga y tubos de transferencia. Si el compresor se utiliza en aplicaciones comerciales, industriales, o militares, la garantía se aplicará por un período de 90 días a partir de la fecha de compra. Los compresores de dos etapas no están limitados a una garantía de 90 días si se utilizan en aplicaciones comerciales o industriales.

- Las aplicaciones de alquiler causan la anulación e invalidación de esta garantía.
- Los siguientes componentes se consideran artículos de desgaste por el uso normal y no están cubiertos después del primer año de posesión: Correas, roldanas, volantes, válvulas de retención, interruptores de presión, descargadores neumáticos, controles de aceleración, motores eléctricos, escobillas, reguladores, anillos en O, manómetros, tubos, tuberías, acoplamientos, sujetadores, ruedas, acopladores rápidos, empaquetaduras, sellos, carcassas de filtro de aire, anillos de pistón, varillas de conexión y sellos de pistón.
- Los costos de mano de obra, llamadas de servicio y viajes, no están cubiertos después del primer año de propiedad de los compresores estacionarios (compresores sin asas o ruedas). No están cubiertas las reparaciones que requieren horas extraordinarias, tarifas de fin de semana o cualquier otro costo que supere las tarifas por mano de obra estándar del taller.
- Tiempo requerido para la capacitación de orientación con el fin de que el centro de servicio obtenga acceso al producto, o tiempo adicional debido a un egreso inadecuado.
- El daño causado por voltaje incorrecto, cableado inapropiado o el hecho de no hacer que un electricista certificado con licencia instale el compresor, causará la anulación e invalidación de esta garantía.
- Daño causado por un mantenimiento inadecuado del filtro.
- Desgaste de la bomba o daño en la válvula causado por el uso de aceite no especificado.
- Desgaste de la bomba o daño causado por cualquier contaminación del aceite.
- Desgaste de la bomba o daño en la válvula causado por el hecho de no seguir las directrices de mantenimiento apropiadas.
- Utilización con un nivel de aceite por debajo del apropiado o utilización sin aceite.
- Para motores a gas, si el producto está equipado con un motor a gas, consulte en el manual la cobertura de garantía del fabricante para el motor específico.

**Piezas que se compran por separado:** las garantías de las piezas que se compran por separado, como bombas, motores, etc., son las siguientes:

A partir de la fecha de compra

- Todas las bombas de una y dos etapas 1 año
- Motores eléctricos 90 días
- Bomba/motor universal 30 días
- Todas las otras piezas 30 días
- No se expedirá una autorización de devolución para los componentes eléctricos una vez que estén instalados.

**¿Cómo puede obtener servicio?** Con el fin de ser elegible para obtener servicio bajo esta garantía, debe ser el comprador al menudeo original y proporcionar un comprobante de compra de uno de los concesionarios, distribuidores o tiendas minoristas de La Compañía. Los compresores portátiles o los componentes se deben enviar o entregar en el Centro de Servicio autorizado más cercano. El cliente deberá pagar todos los costos relacionados con el flete y viaje. Para obtener asistencia, llame a nuestro número gratuito, 1-888-895-4549.

**ESTA GARANTÍA LE OTORGA DERECHOS LEGALES ESPECÍFICOS, Y ES POSIBLE QUE TAMBIÉN TENGA OTROS DERECHOS QUE VARIAN DE UN ESTADO A OTRO. LA COMPAÑÍA NO HACE REPRESENTACIÓN O GARANTÍA ALGUNA, YA SEA EXPRESA O IMPLÍCITA, A EXCEPCIÓN DE LA DEL TÍTULO DE PROPIEDAD. POR LA PRESENTE, LA COMPAÑÍA NO ASUME NINGUNA GARANTÍA IMPLÍCITA, INCLUIDAS LAS GARANTÍAS DE COMERCIABILIDAD Y DE IDONEIDAD PARA UN PROPÓSITO ESPECÍFICO. SE EXCLUYE TODA RESPONSABILIDAD POR DAÑOS Y PERJUICIOS EMERGENTES O INCIDENTALES EN VIRTUD DE CUALQUIER OTRA GARANTÍA, OTROS CONTRATOS, NEGLIGENCIA U OTROS ACTOS DE AGRAVIO EN LA MEDIDA EN QUE LA LEY LO PERMITA.**

## DEFINICIONES DE NORMAS DE SEGURIDAD

Este manual contiene información que es importante que usted conozca y comprenda. Esta información se relaciona con la protección de SU SEGURIDAD Y LA PREVENCIÓN DE PROBLEMAS A SU EQUIPO. Para ayudarle a reconocer esta información, usamos los símbolos indicados más abajo. Sírvase leer el manual y prestar atención a estas secciones.

<p><b>⚠ PELIGRO:</b> Indica una situación de riesgo inminente, que si no se evita, causará <b>la muerte o lesiones serias.</b></p>	<p><b>⚠ ATENCIÓN:</b> Indica una situación potencialmente peligrosa, que si no se evita, puede causar <b>lesiones menores o moderadas.</b></p>
<p><b>⚠ ADVERTENCIA:</b> Indica una situación potencialmente riesgosa, que si no se evita, podría causar <b>la muerte o lesiones serias.</b></p>	<p><b>⚠ AVISO:</b> Se refiere a una práctica <b>no relacionada a lesiones corporales</b> que de no evitarse puede resultar en <b>daños a la propiedad.</b></p>

## INSTRUCCIONES IMPORTANTES DE SEGURIDAD

**⚠ ADVERTENCIA:** CONTIENE PLOMO. Puede ser dañino si se ingiere o se mastica. Puede generar polvo que contenga plomo. Lávese las manos después del uso. Mantener fuera del alcance de los niños.

**⚠ ADVERTENCIA:** Este producto le podría exponer a productos químicos incluyendo plomo, reconocido por el Estado de California como causante de cáncer, defectos de nacimiento u otros daños del sistema reproductivo. Para obtener más información, visite [www.P65Warnings.ca.gov](http://www.P65Warnings.ca.gov)

**⚠ ADVERTENCIA:** Para reducir el riesgo de lesiones, lea el manual de instrucciones.



## CONSERVE ESTAS INSTRUCCIONES

### PELIGRO



**⚠ PELIGRO:** RIESGO DE EXPLOSIÓN O INCENDIO

¿QUÉ PUEDE SUCEDER?	CÓMO EVITARLO
<ul style="list-style-type: none"> <li>• Es normal que los contactos eléctricos dentro del motor y el interruptor de presión produzcan chispas.</li> </ul>	<ul style="list-style-type: none"> <li>• Opere siempre el compresor en un área bien ventilada libre de materiales combustibles, gasolina o vapores de solventes.</li> </ul>
<ul style="list-style-type: none"> <li>• Si las chispas eléctricas del compresor entran en contacto con vapores inflamables, pueden encenderse, provocando un incendio o una explosión.</li> </ul>	<ul style="list-style-type: none"> <li>• Si se pulverizan materiales inflamables, ubique el compresor al menos a 6,1 m (20 pies) del área de pulverización. Se puede necesitar manguera adicional.</li> <li>• Guarde los materiales inflamables en lugar seguro lejos del compresor.</li> </ul>



<ul style="list-style-type: none"> <li>• Restringir cualquiera de las aberturas de ventilación del compresor puede producir un sobrecalentamiento grave y podría provocar un incendio.</li> </ul>	<ul style="list-style-type: none"> <li>• Nunca coloque objetos contra o sobre el compresor.</li> <li>• Opere el compresor en un lugar abierto con una distancia de al menos 30,5 cm (12 pulg.) a cualquier pared u obstrucción que pudiera restringir el flujo de aire fresco a las aberturas de ventilación.</li> <li>• Opere el compresor en un área limpia, seca y bien ventilada. No opere la unidad dentro en un área muy cerrada. Almacén en puertas.</li> </ul>
<ul style="list-style-type: none"> <li>• El funcionamiento sin cuidado de este producto podría provocar lesiones personales o daños a la propiedad. Para disminuir el riesgo de incendio, no permita que el compresor funcione sin que alguien lo controle.</li> </ul>	<ul style="list-style-type: none"> <li>• Siempre permanezca controlando el producto cuando está en funcionamiento.</li> <li>• Siempre apague y desenchufe la unidad cuando no esté en uso.</li> </ul>

## PELIGRO



**▲ PELIGRO:**

**RIESGO RESPIRATORIO (ASFIXIA)**

<b>¿QUÉ PUEDE SUCEDER?</b>	<b>CÓMO EVITARLO</b>
<ul style="list-style-type: none"> <li>• El aire comprimido que sale de su compresor no es seguro para respirarlo. El flujo de aire puede contener monóxido de carbono, vapores tóxicos o partículas sólidas del tanque de aire. De respirar estos contaminantes pueden provocar lesiones graves o la muerte.</li> </ul>	<ul style="list-style-type: none"> <li>• El aire que se obtiene directamente del compresor no se debe usar nunca para consumo humano. El compresor no incluye equipo de seguridad en línea y filtros adecuados para consumo humano.</li> </ul>

- La exposición a los productos químicos en el polvo producido por las herramientas eléctricas al lijar, aserrar, esmerilar, taladrar y otras actividades de la construcción puede ser peligrosa.
- Los materiales pulverizados como pinturas, solventes para pinturas, removedores de pintura, insecticidas y herbicidas pueden contener vapores dañinos y venenos.
- Trabaje en un área con buena ventilación cruzada. Lea y siga las instrucciones de seguridad que se proveen en la etiqueta o en la ficha técnica de los materiales que está utilizando. Siempre utilice equipamiento de seguridad certificado: protección respiratoria aprobada por NIOSH/OSHA o una mascarilla facial adecuada diseñada para usar para los fines que usted requiere.

## PELIGRO



### ⚠ ADVERTENCIA: RIESGO DE EXPLOSIÓN

**Tanque de aire:** El 26 de febrero de 2002, la Comisión de Seguridad para Productos de Consumo de los Estados Unidos publicó el Comunicado # 02-108 sobre la seguridad en los tanques de compresores de aire:

Los tanques receptores de los compresores de aire no tienen una vida útil infinita. La vida útil del tanque depende de diversos factores, incluyendo las condiciones de operación, las condiciones ambientales, la instalación debida del mismo, modificaciones realizadas en el campo y el nivel de mantenimiento que reciba. Es difícil prever cuál será el efecto exacto de estos factores sobre la vida útil del tanque receptor de aire.

Si no se siguen procedimientos de mantenimiento debidos, la corrosión interna de la pared interior del tanque receptor de aire puede causar una ruptura imprevista en el tanque de aire, lo que hará que el aire presurizado escape con fuerza y repentinamente, pudiendo lesionar al usuario.

Las siguientes condiciones pueden llevar a debilitar el tanque de aire y ocasionar la explosión violenta del mismo:

¿QUÉ PUEDE SUCEDER?	CÓMO EVITARLO
<ul style="list-style-type: none"> <li>• No drenar correctamente el agua condensada del tanque de aire, que provoca óxido y adelgazamiento del tanque de aire de acero.</li> </ul>	<ul style="list-style-type: none"> <li>• Drene el tanque diariamente o luego de cada uso. Si un tanque de aire presenta una pérdida, reemplácelo inmediatamente con un tanque nuevo o reemplace todo el compresor.</li> </ul>
<ul style="list-style-type: none"> <li>• Modificaciones o intento de reparación del tanque de aire.</li> </ul>	<ul style="list-style-type: none"> <li>• Nunca perforo, suelde o haga ninguna modificación al tanque de aire o a sus elementos. Nunca intente reparar un tanque de aire dañado o con pérdidas. Reemplácelo con un tanque de aire nuevo.</li> </ul>

<ul style="list-style-type: none"> <li>Las modificaciones no autorizadas de la válvula de seguridad o cualquier otro componente que controle la presión del tanque.</li> </ul>	<ul style="list-style-type: none"> <li>El tanque está diseñado para soportar determinadas presiones de operación. Nunca realice ajustes ni sustituya piezas para cambiar las presiones de operación fijadas en la fábrica.</li> </ul>
--	---

### Elementos y accesorios:

<ul style="list-style-type: none"> <li>Exceder las indicaciones de presión para las herramientas neumáticas, las pistolas pulverizadoras, los accesorios neumáticos, los neumáticos y otros artículos inflables puede hacer que exploten o revienten, y puede provocar lesiones graves.</li> </ul>	<ul style="list-style-type: none"> <li>Siga la recomendación del fabricante del equipo y nunca exceda el nivel máximo de presión aceptable para los elementos. Nunca utilice el compresor para inflar objetos pequeños de baja presión, tales como juguetes de niños, pelotas de fútbol o de basquetbol, etc.</li> </ul>
--	--

### Neumáticos:

<ul style="list-style-type: none"> <li>El inflado excesivo de los neumáticos podría causar lesiones graves y daño a la propiedad.</li> </ul>	<ul style="list-style-type: none"> <li>Utilice un medidor de presión de neumáticos para controlar la presión de éstos antes de cada uso y mientras los infla; observe el flanco para ver la presión correcta del neumático.</li> </ul> <p><b>NOTA:</b> Los tanques de aire, los compresores y el equipo similar que se usa para inflar neumáticos pueden llenar neumáticos pequeños como éstos con mucha rapidez. Ajuste el regulador de presión en el suministro de aire a un valor que no supere el de la presión del neumático. Agregue aire en forma gradual y use con frecuencia el medidor de presión de neumáticos para evitar inflarlos.</p>
--	--

## PELIGRO



**⚠ ADVERTENCIA: RIESGO DE DESCARGA ELÉCTRICA**

¿QUÉ PUEDE SUCEDER?	CÓMO EVITARLO
<ul style="list-style-type: none"> <li>Su compresor de aire funciona con electricidad. Como cualquier otro mecanismo que funciona con electricidad, si no se lo utiliza correctamente puede provocar descargas eléctricas.</li> </ul>	<ul style="list-style-type: none"> <li>Nunca haga funcionar el compresor al aire libre cuando está lloviendo o en condiciones de humedad.</li> <li>Nunca haga funcionar el compresor sin las cubiertas de protección o si están dañadas.</li> </ul>
<ul style="list-style-type: none"> <li>Que personal no calificado intente realizar reparaciones puede provocar lesiones graves o muerte por electrocución.</li> </ul>	<ul style="list-style-type: none"> <li>Cualquier cableado eléctrico o las reparaciones requeridas para este producto deben ser realizadas por un centro de servicio de un centro de mantenimiento autorizado de acuerdo con los códigos eléctricos nacionales y locales.</li> </ul>

- **Puesta a tierra:** La no colocación de la puesta a tierra adecuada para este producto puede provocar lesiones graves o muerte por electrocución. Consulte las Instrucciones de **Conexión a tierra** en *Instalación*.
- Asegúrese de que el circuito eléctrico al que se conecta el compresor suministre la conexión a tierra adecuada, el voltaje adecuado y el fusible de protección adecuado.

## PELIGRO



### ▲ ADVERTENCIA: RIESGO DE OBJETOS DESPEDIDOS

#### ¿QUÉ PUEDE SUCCEDER?

- La corriente de aire comprimido puede provocar lesiones en los tejidos blandos de la piel expuesta y puede impulsar suciedad, astillas, partículas sueltas y objetos pequeños a gran velocidad, que pueden producir daños en la propiedad y lesiones personales.

#### CÓMO EVITARLO

- Utilice siempre equipo de seguridad certificado: anteojos de seguridad ANSI Z87.1 (CAN/CSA Z94.3) con protección lateral al usar el compresor.
- Nunca apunte ninguna boquilla ni pulverizador a ninguna parte del cuerpo o a otras personas o animales.
- Apague siempre el compresor y drene la presión de la manguera de aire y del tanque de aire antes de intentar hacer mantenimiento, conectar herramientas o accesorios.

## PELIGRO



### ▲ ADVERTENCIA: RIESGO DE SUPERFICIES CALIENTES

#### ¿QUÉ PUEDE SUCCEDER?

- Tocar metal expuesto como el cabezal del compresor, el cabezal del motor, el escape del motor, o los tubos de salida puede provocar quemaduras graves.

#### CÓMO EVITARLO

- Nunca toque ninguna parte metálica expuesta del compresor durante o inmediatamente después de su funcionamiento. El compresor continuará caliente durante varios minutos después de su funcionamiento.
- No toque las cubiertas protectoras ni intente realizar mantenimiento hasta que la unidad se haya enfriado.

## PELIGRO



**⚠ ADVERTENCIA:** RIESGO POR PIEZAS MÓVILES

¿QUÉ PUEDE SUCEDER?	CÓMO EVITARLO
<ul style="list-style-type: none"><li>Intentar hacer funcionar el compresor con partes dañadas o faltantes, o intentar reparar el compresor sin las cubiertas protectoras puede exponerlo a piezas móviles lo que puede provocar lesiones graves.</li></ul>	<ul style="list-style-type: none"><li>Cualquier reparación requerida por este producto debe ser realizada por un centro de servicio de un centro de servicio autorizado.</li></ul>

## PELIGRO



**⚠ ADVERTENCIA:** RIESGO DE OPERACIÓN INSEGURA

¿QUÉ PUEDE SUCEDER?	CÓMO EVITARLO
<ul style="list-style-type: none"><li>La operación insegura de su compresor de aire podría producir lesiones graves o la muerte, a usted mismo o a otras personas.</li></ul>	<ul style="list-style-type: none"><li>Revise y comprenda todas las instrucciones y advertencias de este manual.</li><li>Familiarícese con la operación y los controles del compresor de aire.</li><li>Mantenga el área de operaciones libre de personas, mascotas y obstáculos.</li><li>Mantenga a los niños alejados del compresor de aire en todo momento.</li><li>No opere el producto cuando esté cansado o bajo la influencia de alcohol o drogas. Manténgase alerta en todo momento.</li><li>Nunca anule las características de seguridad de este producto.</li><li>Equipe el área de operaciones con un extintor de incendios.</li><li>No opere la máquina si faltan piezas, si éstas están rotas o si no son las autorizadas.</li></ul>

## PELIGRO



### **⚠ ADVERTENCIA:** RIESGO DE CAÍDAS

<b>¿QUÉ PUEDE SUCCEDER?</b>	<b>CÓMO EVITARLO</b>
<ul style="list-style-type: none"><li>• Un compresor portátil se puede caer de una mesa, banco o techo, provocando daños al compresor y puede producir lesiones graves o la muerte del operador.</li></ul>	<ul style="list-style-type: none"><li>• Opere siempre el compresor en una posición estable y segura para evitar que la unidad se mueva accidentalmente. Nunca opere el compresor sobre un techo u otra ubicación elevada. Utilice una manguera de aire adicional para alcanzar las ubicaciones elevadas.</li></ul>

## PELIGRO



### **⚠ ADVERTENCIA:** RIESGO DE LESIÓN POR LEVANTAR MUCHO PESO

<b>¿QUÉ PUEDE SUCCEDER?</b>	<b>CÓMO EVITARLO</b>
<ul style="list-style-type: none"><li>• El intento de levantar un objeto muy pesado puede provocar lesiones graves.</li></ul>	<ul style="list-style-type: none"><li>• El compresor es demasiado pesado como para que lo levante una sola persona. Consiga ayuda de otras personas para levantarlo.</li></ul>

## PELIGRO



### **⚠ ATENCIÓN:** RIESGO POR RUIDOS

<b>¿QUÉ PUEDE SUCCEDER?</b>	<b>CÓMO EVITARLO</b>
<ul style="list-style-type: none"><li>• En determinadas condiciones y según el período de uso, el ruido provocado por este producto puede originar pérdida de audición.</li></ul>	<ul style="list-style-type: none"><li>• Utilice siempre equipo de seguridad certificado: protección auditiva ANSI S12.6 (S3.19).</li></ul>

---

## CONSERVE ESTAS INSTRUCCIONES PARA FUTURAS CONSULTAS

---

### CUADRO DE ESPECIFICACIONES

<b>Modelo N°</b>	<b>C151BD</b>
Potencia de trabajo	1,7 *
Diámetro interior	73,.025 mm (2,875 pulg.)
Carrera	36,83 mm (1,45 pulg.)
Voltaje	120
manofásica- corriente	60
Circuito mínimo requerido	15A
Tipo de fusible	Acción retardada
Capacidad de aire en el tanque	56,8 litros (15 Galones)
Presión de aire máxima	225 psi
Presión de corte de entrada	175 psig
Presión de corte de salida	225 psig
SCFM a 40 psig	6,8 * Calibre de libras por pulgada cuadrada
SCFM a 90 psig	5,1 * Calibre de libras por pulgada cuadrada

\*Probado según la norma ISO 1217

Refiérase al glosario para descifrar las abreviaturas.

### GLOSARIO

#### Filtro de aire

Es un elemento poroso contenido dentro de un alojamiento de metal o plástico unido al cilindro de la culata del cilindro del compresor, el cual sirve para eliminar las impurezas del aire de entrada del compresor.

#### Bomba

Es el dispositivo que produce el aire comprimido mediante un pistón de vaivén contenido dentro del cilindro.

#### Interruptor de presión

Sirve para controlar los ciclos de encendido y apagado del compresor. Apaga el compresor cuando se alcanza la presión de interrupción del tanque y arranca el compresor cuando la presión del aire desciende abajo de la presión de interrupción.

#### Interruptor de sobrecarga térmica

Sirve para apagar automáticamente el compresor si la temperatura del motor eléctrico se excede de un límite

predeterminado.

#### Manómetro del tanque

Sirve para indicar la presión interna del tanque.

#### Manómetro regulador

Muestra la presión actual en el conducto. La presión del conducto se ajusta girando la perilla de regulación de presión.

#### Motor eléctrico

Es el dispositivo encargado de suministrar la fuerza rotatoria necesaria para accionar la bomba del compresor.

#### NPT (Norma Nacional de Roscado de Tubos)

Debe utilizarse una cinta selladora de roscas para tener un sello a prueba de fugas en las conexiones roscadas de tubos.

**PCEPM (Pies cúbicos estándar por minuto)**

La unidad de medida de suministro de aire.

**Perilla de regulación de presión**

Sirve para regular la presión de la salida de aire dirigida a la herramienta. Es posible aumentar o disminuir la presión presente en la salida ajustando esta perilla de control. El interruptor de presión no enciende y controla automáticamente el compresor a menos que el interruptor de Auto/Apagado manual esté en la posición de AUTO.

**Presión de activación**

Es la presión baja a la cual arranca automáticamente el motor.

**Presión de interrupción**

Es la presión alta a la cual se apaga automáticamente el motor.

**PSI (Libras por pulgada cuadrada)**

Son las unidades de medida de la presión ejercida por la fuerza del aire. La presión real en PSI es medida por el manómetro del compresor.

**Tanque de aire**

Es un componente cilíndrico que contiene el aire comprimido.

**Válvula de retención**

Es un dispositivo cuya función es impedir que el aire comprimido se regrese del tanque de aire a la bomba del compresor.

**Válvula de presión alivio**

Su función es impedir que la presión del aire ascienda más allá de un límite predeterminado.

## CICLO DE SERVICIO

Esta bomba compresora de aire es capaz de funcionar continuamente, sin embargo para prolongar la vida útil de su compresor de aire se recomienda mantener un ciclo promedio de servicio que oscile entre el 50% y el 75%; ello significa que la bomba compresora no debería trabajar más de 30 a 45 minutos por hora.

## ACCESORIOS

Los accesorios pueden encontrarse en el comercio donde fue comprada la unidad, o en un local de artículos de ferretería.

**▲ ADVERTENCIA:** El uso de accesorios no recomendados para utilizar con esta herramienta puede resultar peligroso. Use solamente accesorios con una capacidad nominal igual o superior a la de la compresor de aire.



## DESCRIPCIÓN GENERAL

### Interruptor de alimentación

Controla el suministro eléctrico al motor y también los ajustes de presión de arranque y presión de parada. Este interruptor sirve como posición de autoencendido y apagado (Auto-On/Off) de la unidad.



### Manómetro para herramientas

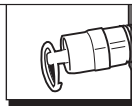
Indica la presión de salida del aire que se reparte en la herramienta, presión que es controlada por el regulador.

### Manómetro para el tanque

Indica la presión que se encuentra dentro del tanque.

### Válvula de seguridad del tanque

Permite que el exceso de presión en el tanque escape al medio ambiente. Esta válvula sólo se abrirá cuando la presión en el tanque esté por encima de la presión máxima nominal del modelo.

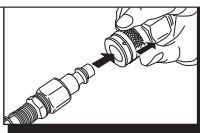


### Regulador

La presión del aire que sale del tanque es controlada por el regulador. Para aumentar la presión, gire la perilla para disminuirla, gire la perilla en el sentido contrario del reloj.

### Conector de acoplamiento rápido

Permite conectar y desconectar rápidamente la manguera de aire.



### Válvula de drenaje

Utilizada para drenar la condensación acumulada en el tanque. Se encuentra en la parte inferior del tanque.

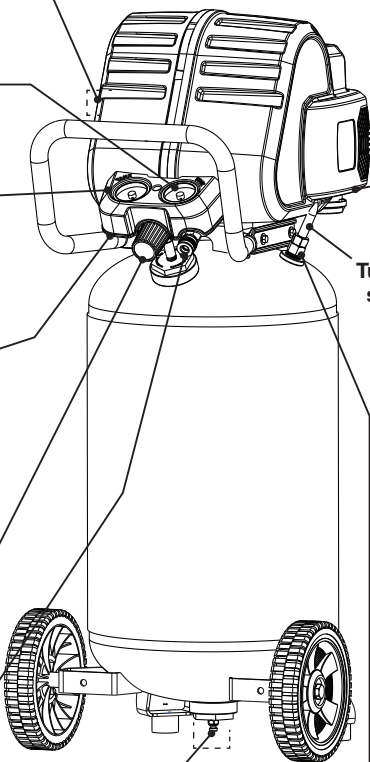


### Filtro de entrada de aire

Suministra aire limpio a la bomba y siempre debe estar libre de suciedad. Reviselo diariamente o antes de cada uso.

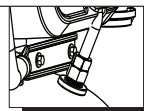


Tubo de salida



### Válvula de retención

Cuando la bomba no está en operación, esta válvula se cierra para mantener la presión de aire dentro del tanque. Es un componente interno.



# ENSAMBLAJE

## MONTAJE DEL COMPRESOR

### ▲ ADVERTENCIA:

Antes de darle cualquier tipo de mantenimiento, debe apagar y desenchufar el compresor de aire de la fuente de alimentación eléctrica, además debe purgar el aire del tanque y darle suficiente tiempo para enfriarse. Existe el riesgo de que las partes móviles, las fuentes eléctricas, el aire comprimido y las superficies calientes provoquen lesiones.

El ensamblaje de conexión rápida debe de estar instalado antes de usar el compresor. Un ensamblaje inadecuado puede causar fugas y posiblemente lesiones. Si no está seguro de entender las instrucciones de ensamblaje o tiene dificultad para llevar a cabo el ensamblaje, llame a su departamento local de servicio para obtener más instrucciones.

1. Desembale el compresor de aire. Inspeccione la unidad para verificar que no sufrió daños. Si la unidad ha sido dañada durante el transporte, comuníquese con la empresa transportadora y complete una reclamación por daños. Haga esto de inmediato porque existen limitaciones de tiempo respecto a las reclamaciones por daños.
2. Verifique el rótulo del número de serie del compresor para asegurarse de que haya recibido el modelo que pidió y que el mismo tenga la presión nominal requerida para el uso deseado.
3. Ubique el compresor de acuerdo con las pautas siguientes:
  - a. Ubique el compresor cerca de un tomacorriente eléctrico conectado a tierra (consulte INSTRUCCIONES DE PUESTA A TIERRA).
  - b. El compresor debe estar a una distancia mínima de 12 pulgadas (31 cm) de cualquier pared u obstrucción, en un área limpia y bien ventilada para asegurar que exista suficiente flujo de aire y enfriamiento.
  - c. En climas fríos, almacene el compresor portátil en un edificio con calefacción. Esto reducirá problemas de lubricación, arranque del motor y congelamiento del agua de condensación.
  - d. Separe el compresor de la colóquelo en el piso, sobre una superficie dura y nivelada. El compresor debe quedar nivelado para asegurar un drenaje adecuado del agua de humedad del tanque.

# INSTALACIÓN

## PRIMER PASO:

### Ubicación del compresor del aire

El compresor del aire siempre debe de estar en un medio ambiente limpio, seco y bien ventilado. La unidad debe de tener por lo menos 30 cm de espacio libre en cada lado. La entrada del filtro de aire debe de estar limpia y sin ningún tipo de obstrucción. Por favor revise diariamente el filtro de aire para comprobar que esté limpio y que funcione correctamente.

### Riesgo de fuego y explosión

Este producto incorpora un interruptor con contactos de transición brusca y un motor eléctrico universal que tienden a producir arcos y chispas. Por lo tanto, no debe exponerlo a líquidos o vapores inflamables. Este producto no está previsto para usarse o instalarlo en un garaje o un taller comercial.

### Instrucciones de conexión a tierra

Este producto se debe conectar a tierra. En caso de que haya un cortocircuito, la conexión a tierra reduce el riesgo de descargas eléctricas al ofrecer una ruta de escape para la corriente eléctrica. Este producto está equipado con un cable que tiene un alambre de tierra y una clavija con un terminal de tierra (Vea Figura 3). La clavija debe enchufarse en un tomacorriente instalado y puesto a tierra según las normas y las reglas locales. Verifique con un electricista o agente de servicio calificado, si no entiende completamente estas instrucciones, o si tiene dudas sobre la correcta puesta a tierra de la herramienta.



#### **▲ PELIGRO:**

Una conexión a tierra inadecuada puede provocar un riesgo de descarga eléctrica. Si necesita reparar o cambiar el cable o la clavija, no conecte el alambre de tierra con ninguna de las terminales planas. El alambre de tierra con aislamiento es de color verde,

con o sin rayas amarillas. La sustitución de la palabra indicadora “PELIGRO” por “ADVERTENCIA” no está prohibida, cuando el riesgo asociado con el producto es tal que exista una situación que, si no se evita, causará la muerte o lesiones graves. Verifique con un electricista o agente de servicio calificado, si no entiende completamente estas instrucciones, o si tiene dudas sobre la correcta puesta a tierra de la herramienta. No modifique la clavija que viene con el equipo; si no puede enchufarla en el tomacorriente, llame a un electricista calificado para que le instale el tomacorriente adecuado.

Este producto está diseñado para ser utilizado en un circuito con un voltaje nominal de 120 voltios y tiene una clavija para hacer tierra, parecida a la clavija ilustrada (Vea Figura 3). Asegúrese de que el producto esté conectado a un tomacorriente con la misma configuración que la clavija. No utilice un adaptador con este producto.

# INSTALACIÓN

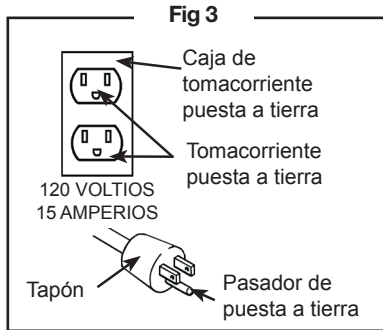
## PRIMER PASO:

### Cables de extensión

Sólo utilice un cable de extensión de 3 alambres con una clavija para hacer tierra de 3 terminales que pueda enchufarse en un tomacorriente de 3 orificios. Asegúrese de que su cable de extensión esté en buenas condiciones. Si utiliza un cable de extensión, compruebe que sea de la capacidad de la corriente que requiere su equipo. Las extensiones no deben ser de más de 15,2 m (50 pies) de longitud y deben tener un cable de calibre 12 AWG. Un cable más delgado provocará una caída en el voltaje de la línea, lo que provocaría una pérdida de potencia y un sobrecalentamiento.

### Procedimiento inicial de preparación

No se requiere un procedimiento inicial de preparación. Este producto ha sido probado en la fábrica para asegurar su operación y su rendimiento adecuados.

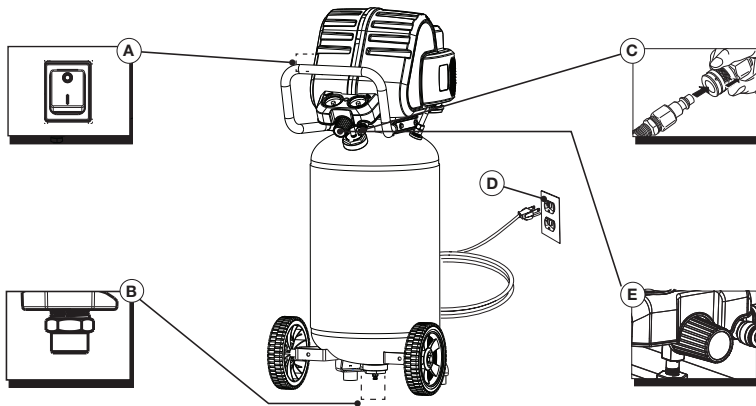


# PROCEDIMIENTOS DE OPERACIÓN

## PROCEDIMIENTO DIARIO DE ARRANQUE (Figura 4)

1. Ponga el interruptor de alimentación (on/off) en posición de apagado (off)
2. Verifique que el compresor de aire, la manguera de aire y todas las herramientas / accesorios utilizados, no tengan daños ni obstrucciones. Si algunas de las piezas descritas requieren una reparación o reemplazo, llame a su tienda local autorizada de servicio, antes de usarlo.
3. Cierre la válvula de drenaje. (B)
4. Conecte la manguera de aire dentro del conector de acoplamiento rápido de la unidad del regulador, insertando la clavija de conexión rápida en la manguera de aire, dentro del conector de acoplamiento rápido. El collar del conector de acoplamiento rápido saltará hacia adelante, sujetando la clavija en su lugar y proporcionará una junta hermética entre el conector y la clavija. Para desconectar la manguera de aire, empuje hacia atrás el collar del conector de acoplamiento rápido. (C)
5. Conecte el cable de alimentación en un tomacorriente apropiado. (D)
6. Gire el interruptor de alimentación en posición de encendido (Auto-On); el compresor arrancará, acumulando la presión de aire en el tanque hasta llegar a la presión de apagado, momento en el cual se apagará automáticamente. (A)
7. Ajuste el regulador a un valor de PSI que sea necesario para el uso previsto y verifique que esté dentro de los estándares de seguridad requeridos para realizar la tarea. Si se utiliza una herramienta neumática, el fabricante debe haber incluido en el manual de dicha herramienta, valores recomendados para la presión de servicio en PSI. (E)

Figura 4



## PROCEDIMIENTO DE APAGADO (Figura 4)

1. Gire el interruptor de alimentación en posición apagado (Off)
2. Desenchufe el cable de la alimentación del tomacorriente. (D)
3. Ponga en cero el regulador de presión de salida. (E)
4. Quite todas las herramientas o accesorios de aire.
5. Abra la válvula de drenaje para permitir que el aire del tanque se escape. Cuando haya salido del tanque todo el aire, cierre la válvula de drenaje para evitar que entre suciedad. (B)

### ⚠ ATENCIÓN:

Al drenar el tanque, utilice una protección para oídos y ojos. Drene el tanque en un lugar apropiado; en la mayoría de las ocasiones al drenar saldrá condensación.

### ⚠ ADVERTENCIA:

Si no drena el tanque al almacenarlo, en su interior quedará agua que lo corroerá y debilitará, lo cual puede provocar su ruptura. Para evitar lesiones graves, asegúrese de drenar el tanque diariamente o después de cada uso.

## MANTENIMIENTO

### ⚠ ADVERTENCIA:

Para evitar lesiones antes de dar mantenimiento al compresor, debe apagar y desconectarlo del tomacorriente y purgar el aire del tanque.

### ⚠ ADVERTENCIA:

Para asegurar una operación eficiente y una larga vida útil del compresor, debe seguir un programa de mantenimiento de rutina. El siguiente programa de mantenimiento está enfocado al consumidor cuyo compresor es usado diariamente en un medio ambiente normal.

### ⚠ ATENCIÓN:

Este compresor está equipado con un protector automático contra la sobrecarga térmica que apagará el motor en caso de recalentamiento. Si el protector contra la sobrecarga térmica está accionado, deje se enfriar el motor antes de arrancarlo otra vez.

**NOTA:** El motor se arrancará automáticamente sin aviso, si la unidad está todavía enchufada en el tomacorriente, con el interruptor de alimentación en la posición de encendido (auto-on).

## DRENAJE DEL TANQUE

### ⚠ ADVERTENCIA:

La condensación se acumulará en el tanque. Para evitar la corrosión del tanque desde el interior, esta humedad debe ser drenada al final de cada día de trabajo. Asegúrese de utilizar una protección ocular. Alivie la presión de aire en el sistema y abra la válvula de drenaje que se encuentra en el fondo del tanque e incline el tanque para drenarlo.

**NOTA:** En climas fríos, drene el tanque después de cada uso para reducir los problemas de congelamiento del agua de condensación.

## VERIFICACIÓN DE LA VÁLVULA DE SEGURIDAD (Figura 5)

Lleve protección para los oídos y los ojos, antes de realizar los siguientes pasos:

1. Ponga el interruptor ON (I) / OFF (O) en posición de encendido (ON) y espere a que el tanque se llene. El compresor se apagará automáticamente, cuando la presión alcanzará el máximo preestablecido.
2. Ponga el interruptor ON (I) / OFF (O) en posición de apagado (OFF)
3. Jale el anillo de la válvula de seguridad hasta que el aire salga del depósito. Suelte el anillo.
4. El aire debería dejar de salir con 20-90 PSI restantes en el depósito. Si la válvula de seguridad no permite el escape de aire cuando jale el anillo o no se cierra automáticamente, debe ser reemplazada. Deje de utilizarla y hágala reparar, antes de volver a utilizar el compresor de aire.

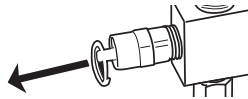
## ALMACENAMIENTO

Para almacenar el compresor, asegúrese de hacer lo siguiente:

1. Apague la unidad y desconecte el cable eléctrico del tomacorriente.
2. Quite del compresor las mangueras, accesorios y herramientas de aire.
3. Lleve a cabo el programa de mantenimiento de rutina.
4. Abra la válvula de drenaje para drenar todo el aire del tanque.


Programa para mantenimiento	
Asuntos para verificar /cambiar	Antes de cada uso o diariamente
Revisar la válvula de seguridad del tanque	X
Revisar visualmente el aspecto general de la unidad	X
Drenar el tanque	X
Compruebe Cuerda de Poder para Daño	X

Figura 5



## GUÍA DE DIAGNÓSTICO DE PROBLEMAS

**⚠ ADVERTENCIA:** El desarrollo de reparaciones puede exponer a sitios con corriente viva, partes en movimiento o fuentes de aire comprimido que podrían ocasionar lesiones personales. Antes de intentar reparación alguna, desenchufe el compresor de aire y purgue toda la presión de aire del tanque.

PROBLEMA	CAUSA	CORRECCIÓN
Presión baja o insuficiente cantidad de aire. o bien el compresor no se detiene	La válvula de desagüe del tanque está abierta.	Válvula de desagüe cercana.
	Las conexiones tienen fugas.	Revise las conexiones con agua jabonosa. Apriete o vuelva a sellar las conexiones que tengan fugas. <b>NO LAS APRIETE EN EXCESO.</b>
<div style="display: flex; align-items: center;"> <div style="margin-right: 10px;">  </div> <div> <p><b>⚠ ADVERTENCIA:</b></p> </div> </div>	Toma restringida de aire.	Limpie o reemplace el elemento del filtro del producto.
	Uso excesivo y prolongado de aire.	Disminuya la cantidad de aire usada.
	El compresor no es suficientemente grande.	Verifique el requerimiento de aire del accesorio. Si es mayor que el volumen por minuto (CFM) y la presión suministrados por el compresor, necesita un compresor más grande. La mayoría de los accesorios están clasificados a un 25 % del volumen real por minuto en funcionamiento continuo.
	Hay un orificio en la manguera de aire.	Revisela y reemplácela si es necesario.
	Fugas en el tanque.	<b>⚠ ADVERTENCIA:</b> Reemplace inmediatamente el tanque. <b>NO</b> intente repararlo.
	Sellos expulsados.	Reemplace los sellos.
	Fugas en la válvula.	Reemplace las válvula.
	Sello del pistón con fugas o desgastado.	Reemplace las pistón.
Fugas de aire del regulador, o el regulador no regula la presión.	Piezas internas del regulador sucias o dañadas.	Reemplace el regulador o las piezas internas.
La lectura del manómetro regulado disminuye cuando se está usando el accesorio de aire.	Es normal.	Si la presión disminuye demasiado, ajuste el regulador mientras use el accesorio.
	El compresor no es suficientemente grande.	Verifique el requerimiento de aire del accesorio. Si es mayor que el volumen por minuto (CFM) y la presión suministrados por el compresor, necesita un compresor más grande. La mayoría de los accesorios están clasificados a un 25 % del volumen real por minuto en funcionamiento continuo.

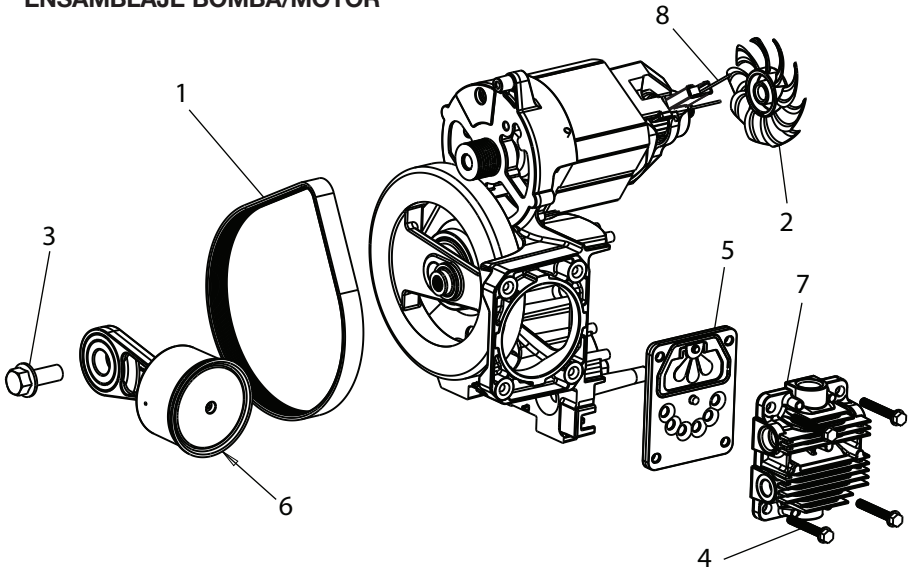


<b>PROBLEMA</b>	<b>CAUSA</b>	<b>CORRECCIÓN</b>
La válvula de alivio de presión se abre.	La presión del tanque excedió la presión normal de operación.	Reemplace el conmutador activado por presión.
	El conmutador activado por presión se atoró.	
El motor no funciona.	La presión del tanque excede el límite preestablecido del conmutador activado por presión.	El motor arrancará automáticamente cuando la presión del tanque disminuya hasta un valor menor de la presión de activación del conmutador activado por presión.
	Asegúrese de que el interruptor de sobrecarga térmica no esté disparado. El motor tiene un cortacircuitos térmico integrado que se dispara cuando es necesario para proteger el motor contra los daños debidos al sobrecalentamiento.	Para reinicializar la palanca de sobrecarga del motor, coloque el interruptor de presión "ON /OFF" en posición "OFF" y desenchufe la unidad del tomacorriente. Espere 10 minutos (mínimo) para que se enfríe y se reinicialice el cortacircuitos de sobrecarga del motor. Después, puede enchufar y arrancar la unidad nuevamente.
	Fusible fundido o disyuntor disparado.	<ul style="list-style-type: none"> <li>• Reemplace el fusible fundido o reajuste el disyuntor. No use fusibles ni disyuntores de clasificación mayor que la especificada para su circuito de derivación.</li> <li>• Verifique que el fusible sea adecuado. El fusible "Fusetron" tipo T es aceptable.</li> <li>• Verifique que el voltaje no sea bajo y que el tamaño del cable de extensión sea adecuado.</li> <li>• Desconecte otros dispositivos del circuito. Opere el compresor en un circuito dedicado.</li> </ul>
	La válvula de retención se bloqueó en posición abierta.	Quítela y límpiela o reemplácela.
	Alambre de calibre inadecuado en el cable o longitud excesiva del cable de extensión.	Verifique que el calibre y la longitud del cable de extensión sean adecuados.
	Conexiones eléctricas sueltas.	Comuníquese con un centro de servicio autorizado.
	Pintura de pistola en las piezas internas del motor.	Haga que lo revisen en un centro de servicio. No opere el compresor en un área donde pinten con pistola.
	Posiblemente el motor está defectuoso.	Haga que lo revisen en un centro de servicio.

5. Cierre la válvula de drenaje.
6. Proteja el cordón eléctrico y la manguera de aire contra los daños (por ejemplo, de ser pisados o atropellados). Enróllelos sin apretarlos alrededor de la agarradera del compresor.
7. Guarde el compresor en un lugar limpio y seco.

## VISTA DE LAS PIEZAS

### ENSAMBLAJE BOMBA/MOTOR

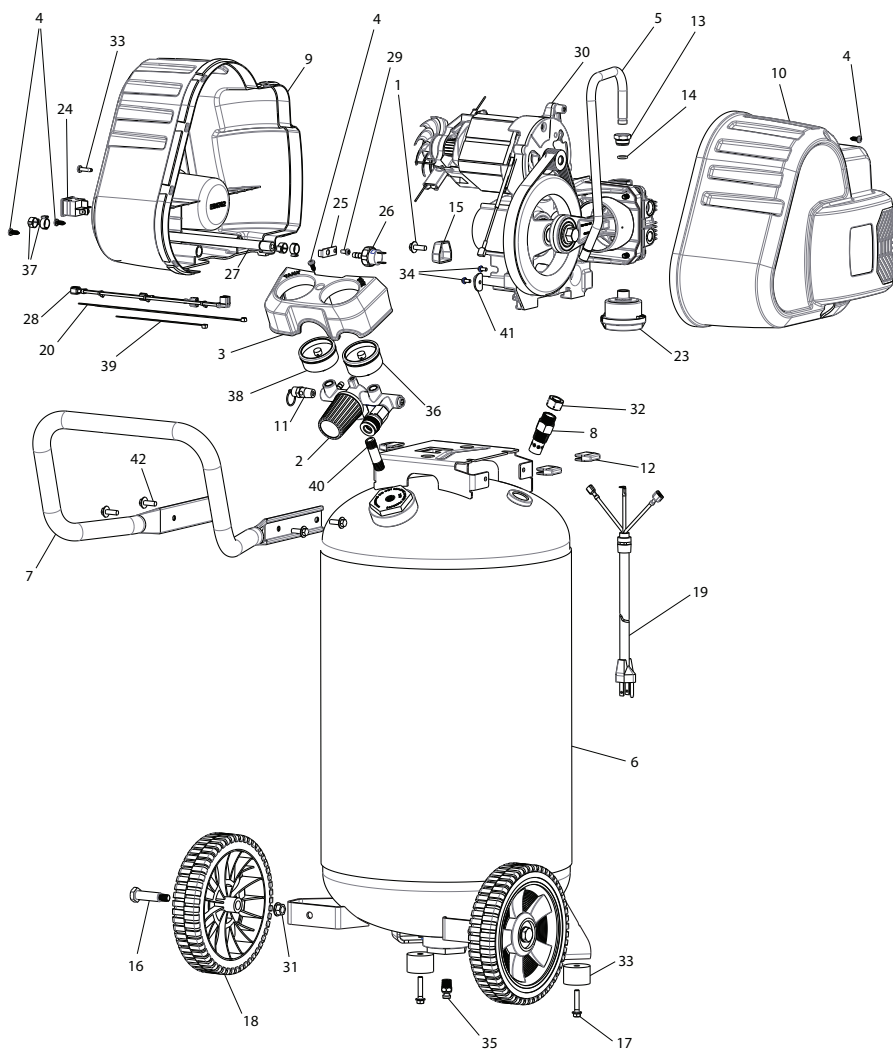


## LISTA DE LAS PIEZAS

NO° REF	NO° PIEZA	DESCRIPCIÓN	CANT
1	E106664	CORREA	1
2	E107844	VENTILADOR	1
3	E106668	TORNILLO .50-20 X 1.25-APRETAR A UN PAR DE TORSIÓN DE 100-120 PIES-LB	1
4	E106669	TORNILLO .25-20 X 1.75, JUEGO DE 4-APRETAR A UN PAR DE TORSIÓN DE 10-13 PIES-LB	4
5	E106670	CONJUNTO DE PLACA DE VÁLVULA	1
6	E106671	CONJUNTO DE BIELA/CILINDRO	1
7	E106672	CABEZAL	1
8	E109131	ESCOBILLA DE MOTOR, JUEGO DE 2	2

# VISTA DE LAS PIEZAS

C151BD



## LISTA DE LAS PIEZAS

NO° REF	NO° PIEZA	DESCRIPCIÓN	CANT
1	E106660	TORNILLO .25-20 X .75, JUEGO DE 3 APRETAR A UN PAR DE TORSIÓN DE 9-12 PIES-LB	1
2	E107996	COLECTOR, INCLUYE EL ARTÍCULO 40	1
3	E106917	CUBIERTA DE CONSOLA	1
4	E106614	TORNILLO #10-24 X .563, JUEGO DE 4-APRETAR A UN PAR DE TORSIÓN DE 12-30 PULG-LB	4
5	E107856	TUBO DE SALIDA	1
6	E112784	TANQUE, INCLUYE LOS ARTÍCULOS 16, 17, 18, 21, 22, 31, 33, 35	1
7	E107848	MANIJA	1
8	E106618	VÁLVULA DE RETENCIÓN	1
*9	E107849	CUBIERTA IZQUIERDA	1
*10	E107850	CUBIERTA DERECHA	1
11	E107851	VÁLVULA DE SEGURIDAD	1
12	E106622	AISLANTE, JUEGO DE 3	3
13	E106623	TUBE ROSCADO, APRETAR A UN PAR DE TORSIÓN DE 15-25 PIES-LB	1
*14	E106624	JUNTA TÓRICA .362 ID X .103 ANCHO	1
15	E106625	MONTURA DE COPA	1
16	E106626	PERNO DE TOPE, JUEGO DE 2	2
17	E112842	TORNILLO .25-20 X 1.125, JUEGO DE 2 APRETAR BIEN	2
18	E107857	RUEDA, JUEGO DE 2	2
19	E106629	CABLE DE ALIMENTACIÓN ELÉCTRICA	1
20	E106658	CINCHO	1
21	E106630	CALCOMAÑÍA, SUPERFICIE CALIENTE (NO SE MUESTRA)	1
22	E106631	CALCOMAÑÍA, ADVERTENCIA (NO SE MUESTRA)	1
23	E106632	CONJUNTO DE FILTRO	1
24	E106633	INTERRUPTOR DE DOS POSICIONES	1
25	E106634	MICRO INTERRUPTOR DE PRESIÓN CON SOPORTE	1
26	E107852	INTERRUPTOR DE PRESIÓN	1
27	E111189	MANGUERA	1
28	E106637	CONJUNTO DE CABLE DE PUENTE	1
29	E106638	TORNILLO #8-16 X .375-APRETAR A UN PAR DE TORSIÓN DE 12-30 PULG-LB	1
30	E107853	CONJUNTO DE BOMBA	1
31	E106640	TUERCA .375-16, JUEGO DE 2	2
32	E106641	CONJUNTO DE TUERCA Y CUBIERTA	1
33	E107323	TOPE DE GOMA, JUEGO DE 2	2
34	E106643	TORNILLO #8-32 X .375, JUEGO DE 2-APRETAR A UN PAR DE TORSIÓN DE 40-50 PULG-LB	2
35	E109170	VÁLVULA DE DRENAJE	1
36	E107855	MANÓMETRO 300 PSI .25 NPT	1
37	E106648	ABRAZADERA DE MANGUERA, JUEGO DE 2	4
38	E107854	MANÓMETRO 400 PSI .25 NPT	1
39	E106659	CINCHO	1
40	E107858	NIPLE DE TUBERÍA, .25-18 NPT X 2.0	1
41	E106657	ARANDELA	1
42	E106660	TORNILLO .25-20 X .75, JUEGO DE 3-APRETAR A UN PAR DE TORSIÓN DE 3-5 PIES-LB	4

**Manuel du propriétaire  
COMPRESSEUR D'AIR**

**56.8 liters**

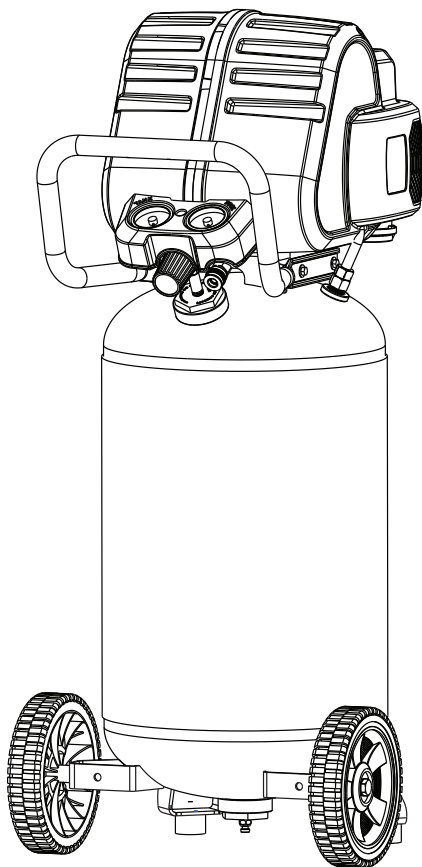
**1.7 HP**

**Sans huile, UMC**

**Modèle No. C151BD**

**U3A2251BD**

**Type No. 2**



**MISE EN GARDE :**

**Avant d'utiliser cet appareil, bien lire ce manuel et suivre toutes les ainsi que le mode d'utilisation.**

- **Consignes de sécurité**
- **Installation et utilisation**
- **Entretien et entreposage**
- **Guide de dépannage**
- **Nomenclature des pièces**

# TABLE OF CONTENTS

Garantie	voir plus bas
Symboles de sécurité	47
Consignes et directives de sécurité importantes	47
Danger	47-53
Spécifications	54
Glossaire terminologique	54-55
Cycle de service	55
Vue d'ensemble	56
Assemblage	57
Installation	58-59
Mode d'emploi	60
Entretien	61
Rangement	62
Guide de dépannage	63-64
Nomenclature des pièces	65-67
Numéro de service	couverture arrière

## GARANTIE LIMITÉE DE DEUX ANS

**Que couvre cette garantie?** La Société garantit, à compter de la date d'achat par l'acheteur au détail initial uniquement, les pièces et la main-d'œuvre afin de remédier aux défauts importants constatés dans les matériaux ou dans la main-d'œuvre.

**Quelle est la durée de la garantie?** La durée de cette garantie est de deux ans. Cette garantie n'est pas transférable à une tierce partie.

**Ce à quoi La Société engage :** La Société couvre les pièces et main d'œuvre pour remédier à des défauts importants en raison de matériaux et de fabrication pendant la première année de propriété, avec les exceptions notées ci-dessous, et les pièces uniquement, pour remédier à des défauts importants en raison de matériaux et de fabrication pour la durée restante de la couverture avec les exceptions mentionnées ci-dessous. Les pièces utilisées dans la réparation de biens tout ou accessoires sont garantis pour le reste de la période de garantie originale.

**Qu'est-ce qui n'est pas couvert par cette garantie?** L'incapacité de l'acheteur au détail initial d'installer, d'entretenir et d'exploiter cet équipement conformément aux pratiques industrielles normales. Les modifications apportées au produit ou le bricolage effectué sur ses composants, ou le manquement à se conformer aux recommandations spécifiques de la Société énoncées dans le manuel de l'utilisateur, rendront cette garantie nulle et non avenue. La Société rejette toute responsabilité pour les réparations, remplacements ou ajustements à l'équipement ou pour tous coûts reliés au travail effectués sur l'équipement par l'acheteur sans l'autorisation préalable écrite de la Société. Les effets de la corrosion, de l'érosion, des conditions environnementales ambiantes, des défauts de nature superficielle et les matériaux requis pour la maintenance de routine sont expressément exclus de cette garantie. Les matériaux requis pour la maintenance de routine tels que l'huile, les lubrifiants et les filtres à air, ainsi que les changements d'huile, de filtres à air, de tension de courroie, etc. font partie de la responsabilité de l'utilisateur. Parmi les exclusions supplémentaires, il faut ajouter les dommages liés au transport, les défaillances liées à la négligence, aux accidents ou à une mauvaise utilisation, les moteurs à induction alimentés par un alternateur, les fuites d'huile, les fuites d'air, la consommation d'huile, les raccords qui fuient, les boyaux, les robinets d'évacuation d'air, les soupapes de purge et les tuyaux de transfert.

- Si le compresseur est utilisé dans le cadre d'applications commerciales, industrielles, ou militaires, la garantie sera valide pendant 90 jours à compter de la date d'achat. La garantie couvrant les compresseurs à deux étages n'est pas limitée à 90 jours en cas d'applications commerciales ou industrielles.
- La présente garantie sera rendue nulle et non avenue par toute location d'équipements couverts par la garantie.
- Les composants suivants sont considérés comme des équipements sujets à usure normale et ne sont donc couverts que pendant un an après leur vente : courroies, faisceaux, volants, clapets de non-retour, manostats, déchargeurs à air, manettes d'accélération, moteurs électriques, balais, régulateurs, joints toriques, manomètres, tubes, conduits, raccords, attaches, roues, porte-outils à attache rapide, garnitures, joints d'étanchéité, logements de filtre à air, segments de piston, biellettes de liaison et joints de piston.
- Les charges de main-d'œuvre, d'appels de service et de déplacements ne sont pas couvertes au-delà de la première année suivant l'acquisition pour les compresseurs fixes (compresseurs sans poignées et sans roues). Les réparations nécessitant des heures supplémentaires, des taux et tarifs de fin de semaine ou toute autre charge excédant le tarif standard de travail en atelier ne sont pas couvertes.
- Temps requis pour la formation d'orientation afin de permettre au centre de service d'obtenir accès au produit, ou du temps supplémentaire pour cause de sortie inadéquate.
- Les dommages causés par une tension incorrecte, un câblage inapproprié ou l'installation du compresseur par quelqu'un d'autre qu'un électricien professionnel agréé rendront la garantie nulle et non avenue.
- Les dommages causés par un entretien inadéquat du filtre.
- L'usure de la pompe ou l'endommagement d'une valve causé par l'emploi d'un lubrifiant contre-indiqué.
- L'usure de la pompe ou un dommage causé par une contamination d'huile.
- L'usure de la pompe ou l'endommagement d'une valve causé par le non-respect des directives d'entretien correctes.
- L'utilisation sans huile ou avec un niveau d'huile insuffisant.
- Les moteurs à essence, si le produit est équipé d'un tel moteur : se reporter au manuel d'utilisation du moteur pour la couverture de la garantie spécifique du fabricant du moteur.

**Pièces achetées séparément :** la garantie pour les pièces achetées séparément, telles que les pompes, les moteurs, etc. s'applique comme suit : À compter de la date d'achat

- |   |          |
|---|----------|
| • Toutes les pompes à un étage ou à deux étages | 1 an     |
| • Moteurs électriques                           | 90 jours |
| • Moteur/pompe universel(le)                    | 30 jours |
| • Toute autre pièce                             | 30 jours |

• Aucune autorisation de retour ne sera accordée pour les composants électriques une fois qu'ils sont installés.

Comment obtenir du service? Pour prétendre au droit à la réparation selon les termes de cette garantie, vous devez être l'acheteur au détail initial et fournir une preuve d'achat provenant d'un des concessionnaires, distributeurs ou détaillants de La Société. Les compresseurs ou composants portatifs doivent être livrés ou expédiés au Centre de réparation agréé de le plus proche. Tous les coûts associés de transport et les charges inhérentes doivent être pris en charge par le client. Veuillez appeler le numéro d'appel sans frais 1-888-895-4549 pour obtenir de l'assistance.

**CETTE GARANTIE VOUS ACCORDE DES DROITS LÉGAUX SPÉCIFIQUES ET VOUS POUVEZ BÉNÉFICIER D'AUTRES DROITS EN FONCTION DE L'ÉTAT OU CELLE-CI S'APPLIQUE. LA SOCIÉTÉ N'OFFRE AUCUNE AUTRE GARANTIE NI REPRÉSENTATION DE QUELQUE SORTIE QUE CE SOIT, EXPRESSE OU IMPLICITE, EXCEPTION FAITE DE LA PROPRIÉTÉ. TOUTES LES GARANTIES IMPLICITES, EN PARTICULIER TOUTE GARANTIE DE COMMERCIALISATION ET D'ADEQUATION À UN USAGE PARTICULIER, SONT REJETÉES PAR LA PRÉSENTE. TOUTE RESPONSABILITÉ POUR DES DOMMAGES INDIRECTS ET CORRESPONDANT À L'UNE QUELCONQUE DES GARANTIES ET À L'ENSEMBLE DE CELLES-CI, À D'AUTRES CONTRATS, À LA NÉGLIGENCE OU À D'AUTRES DÉLITS CIVILS, EST EXCLUE CONFORMÈMENT AUX CLAUSES D'EXCLUSION DE LA LOI.**

## MESURES DE SÉCURITÉ

Ce manuel contient des renseignements importants que vous deviez bien saisir. Cette information porte sur VOTRE SÉCURITÉ et sur la PRÉVENTION DE PROBLÈMES D'ÉQUIPEMENT. Afin de vous aider à identifier cette information, nous avons utilisé les symboles ci-dessous. Veuillez lire attentivement ce guide en portant une attention particulière à ces symboles.

<p><b>⚠ DANGER :</b> Indique un danger imminent qui, s'il n'est pas évité, <b>causera de graves blessures ou la mort.</b></p>	<p><b>⚠ ATTENTION :</b> Indique la possibilité d'un danger qui, s'il n'est pas évité, <b>peut causer des blessures mineures ou moyennes.</b></p>
<p><b>⚠ AVERTISSEMENT :</b> Indique la possibilité d'un danger qui, s'il n'est pas évité, <b>pourrait causer de graves blessures ou la mort.</b></p>	<p><b>AVIS:</b> Sans le symbole d'alerte. Indique la possibilité d'un danger qui, s'il n'est pas évité, <b>peut causer des dommages à la propriété.</b></p>

## DIRECTIVES DE SÉCURITÉ IMPORTANTES

**⚠ AVERTISSEMENT :** CONTIENT DU PLOMB. Peut être nocif s'il est ingéré ou mâché. Peut générer de la poussière contenant du plomb. Se laver les mains après usage. Garder hors de la portée des enfants.

**⚠ AVERTISSEMENT :** Ce produit pourrait vous exposer à des produits chimiques, y compris le plomb, reconnu par l'État de Californie comme cause de cancer, de malformations congénitales ou autres problèmes du système de reproduction. Pour obtenir plus d'information, visitez [www.P65Warnings.ca.gov](http://www.P65Warnings.ca.gov).



**⚠ AVERTISSEMENT :** Pour réduire le risque de blessures, assurez-vous de bien lire le manuel de directives.

## CONSERVEZ CES DIRECTIVES

### DANGER



**⚠ DANGER :** RISQUE D'EXPLOSION OU D'INCENDIE

RISQUE	PRÉVENTION
<ul style="list-style-type: none"> <li>Les étincelles qui proviennent des contacts électriques du moteur et du manostat sont considérées normales.</li> </ul>	<ul style="list-style-type: none"> <li>Toujours utiliser le compresseur dans un endroit bien aéré, loin de toute matière combustible et des vapeurs d'essence ou de solvants.</li> </ul>
<ul style="list-style-type: none"> <li>Si des étincelles électriques du compresseur entrent en contact avec des vapeurs inflammables, elles peuvent s'enflammer, provoquant un incendie ou une explosion.</li> </ul>	<ul style="list-style-type: none"> <li>Si des matières inflammables doivent être vaporisées, situer le compresseur à une distance d'au moins 6,1 m (20pi) de la zone de vaporisation. L'utilisation d'un tuyau additionnel peut s'avérer nécessaire</li> <li>Entreposer les matières inflammables dans un endroit sécuritaire, loin du compresseur.</li> </ul>

<ul style="list-style-type: none"> <li>• Toute obstruction des orifices d'aération du compresseur entraînera une surchauffe dangereuse et risque de causer un incendie.</li> </ul>	<ul style="list-style-type: none"> <li>• Ne jamais placer des objets contre ou sur le compresseur.</li> <li>• Utiliser le compresseur dans un endroit ouvert, à au moins 30,5 cm (12 po) de tout mur ou obstruction qui réduirait le débit d'air frais vers les orifices d'aération.</li> <li>• Utiliser le compresseur dans un endroit propre, sec et bien aéré. Ne pas utiliser l'appareil à l'intérieur ou dans un endroit clos. Ranger à l'intérieur.</li> </ul>
<ul style="list-style-type: none"> <li>• Si cet appareil fonctionne sans supervision, il existe un risque de provoquer des blessures graves ou des dommages à la propriété. Pour réduire le risque d'incendie, ne jamais laisser le compresseur d'air fonctionner sans supervision.</li> </ul>	<ul style="list-style-type: none"> <li>• Toujours rester à proximité de l'appareil lorsqu'il est en fonction.</li> <li>• Toujours couper l'alimentation électrique de l'unité, lorsqu'il n'est pas utilisé.</li> </ul>

## DANGER



### ▲ DANGER : RISQUE PAR INHALATION (ASPHYXIE)

RISQUE	PRÉVENTION
<ul style="list-style-type: none"> <li>• L'air comprimé de votre compresseur d'air n'est pas sécuritaire pour l'inhalation. Le jet d'air peut contenir du monoxyde de carbone, des vapeurs toxiques ou des particules solides du réservoir d'air. L'inhalation de ces contaminants peut causer des blessures graves ou la mort.</li> </ul>	<ul style="list-style-type: none"> <li>• L'air obtenu directement du compresseur ne devrait jamais être utilisé comme source d'air pour les être humains. Le compresseur n'est pas équipé de filtres et d'équipement de sécurité adéquats en ligne pour la consommation humaine.</li> </ul>
<ul style="list-style-type: none"> <li>• Une exposition aux produits chimiques retrouvés dans la poussière créée par l'usage d'outils mécaniques pour le sablage, sciage, meulage, perçage et autres activités de construction pourrait être nocif.</li> <li>• Les matières vaporisées telles que la peinture, solvants de peinture, décapants, insecticides et herbicides peuvent contenir des vapeurs nocives et toxiques.</li> </ul>	<ul style="list-style-type: none"> <li>• Travailler dans un endroit où il y a une bonne ventilation transversale. Bien lire et respecter les directives de sécurité indiquées sur l'étiquette ou les fiches signalétiques des produits vaporisés. Toujours porter un respirateur homologué par le NIOSH/MSHA ou un masque bien ajusté, conçu pour l'application en question.</li> </ul>



# DANGER



## ▲ AVERTISSEMENT : RISQUE D'ÉCLATEMENT

**Réservoir d'air comprimé :** Le 26 février 2002, la U.S. Consumer Product Safety Commission américaine a publié la règle n° 02-108 portant sur la sécurité des réservoirs d'air comprimé des compresseurs :

Les réservoirs d'air comprimé des compresseurs n'ont pas une durée de vie illimitée. La durée de vie des réservoirs dépend de plusieurs facteurs, qui comprennent entre autres : les conditions d'utilisation, les conditions ambiantes, une installation adéquate, les modifications sur site et le niveau d'entretien. L'effet exact que peut avoir ces facteurs sur la durée de vie des réservoirs d'air est difficilement prévisible.

Si les procédures adéquates d'entretien ne sont pas suivies, la corrosion sur la paroi interne du réservoir d'air comprimé peut faire que celui-ci éclate de façon inopinée, laissant soudainement l'air pressurisé s'échapper avec force, posant ainsi des risques de blessures à l'utilisateur.

Le réservoir d'air de votre compresseur doit être mis hors service à la fin de l'année mentionnée sur l'étiquette d'avertissement apposée sur le réservoir.

Les conditions suivantes peuvent amener la dégradation du réservoir d'air, et faire que ce dernier explose violemment.

RISQUE	PRÉVENTION
<ul style="list-style-type: none"><li>Le défaut de vidanger de façon appropriée l'eau condensée dans le réservoir risque de causer la rouille et l'amincissement des parois en acier du réservoir.</li></ul>	<ul style="list-style-type: none"><li>Purger le réservoir quotidiennement ou après chaque utilisation. Si le réservoir accuse une fuite, le remplacer immédiatement par un nouveau réservoir ou remplacer le compresseur au complet.</li></ul>
<ul style="list-style-type: none"><li>Des modifications ou tentatives de réparation exécutées sur le réservoir.</li></ul>	<ul style="list-style-type: none"><li>Ne jamais perforez avec une perceuse, souder ou faire une modification quelconque au réservoir ou à ses accessoires. Ne jamais tenter de réparer un réservoir endommagé ou non étanche. Remplacer par un nouveau réservoir à air.</li></ul>
<ul style="list-style-type: none"><li>Des modifications non autorisées apportées à la soupape de sécurité ou à toute autre composante, contrôlant la pression du réservoir.</li></ul>	<ul style="list-style-type: none"><li>Le réservoir est conçu pour subir des pressions de service particulières. Ne jamais effectuer des réglages ni substituer des pièces pour modifier les pressions de service établies à l'usine.</li></ul>

### Fixations et accessoires :

- |  |   |
|--|---|
| <ul style="list-style-type: none"><li>Le fait d'excéder la pression nominale des outils pneumatiques, pistolets vaporisateurs, accessoires pneumatiques, pneus et autres objets gonflables, risque de provoquer l'explosion de ces derniers ou la projection de pièces, ce qui risque de causer de graves blessures.</li></ul> | <ul style="list-style-type: none"><li>Suivre les recommandations du fabricant de l'équipement et ne jamais excéder la valeur nominale de pression spécifiée des accessoires. Ne jamais utiliser le compresseur pour gonfler des objets à faible pression, tels que les jouets d'enfant, les ballons de football ou de basket-ball, etc.</li></ul> |
|--|---|

**Pneus :**

- Une inflation excessive des pneus peut provoquer des blessures et des dommages matériels graves.
  - Utilisez un manomètre pour vérifier la pression des pneus avant chaque utilisation et pendant le gonflage; voir le flanc du pneu pour la pression des pneus.
- REMARQUE :** réservoirs d'air, compresseurs et autres appareils similaires utilisés pour gonfler les pneus peuvent remplir de petits pneus comme ceux-ci très rapidement. Régler le régulateur de pression sur l'alimentation en air à une valeur qui ne dépasse pas la pression du pneu. Ajouter progressivement de l'air et souvent utiliser la jauge de pression des pneus pour empêcher une inflation.

**DANGER**



**⚠ AVERTISSEMENT : RISQUE DE CHOC ÉLECTRIQUE**

<b>RISQUE</b>	<b>PRÉVENTION</b>
<ul style="list-style-type: none"><li>• Votre compresseur d'air est alimenté par électricité. Comme avec tous les appareils électriques, si l'appareil n'est pas utilisé de façon appropriée, il peut causer des chocs électriques.</li></ul>	<ul style="list-style-type: none"><li>• Ne jamais faire fonctionner le compresseur à l'extérieur lorsqu'il pleut ou dans des conditions humides.</li><li>• Ne jamais faire fonctionner le compresseur sans les couvercles de protection ou s'ils sont endommagés.</li></ul>
<ul style="list-style-type: none"><li>• Toute réparation effectuée par une personne non qualifiée peut entraîner des blessures graves ou la mort par électrocution.</li></ul>	<ul style="list-style-type: none"><li>• Tout câblage électrique ou toute réparation requis sur cet appareil devrait être effectué par le personnel d'un centre de service autorisé, conformément aux codes électriques nationaux et locaux.</li></ul>
<ul style="list-style-type: none"><li>• <b>Mise à la terre :</b> Le défaut d'établir une mise à la terre appropriée pour cet appareil peut entraîner des blessures graves ou la mort par électrocution. Voir les directives de mise à la terre. Référez aux <b>directives de mise à la terre</b> dans la section "Installation"</li></ul>	<ul style="list-style-type: none"><li>• S'assurer que le circuit électrique alimentant le compresseur fournit une mise à la terre électrique appropriée, une tension conforme et une protection adéquate par fusibles.</li></ul>

## DANGER



**⚠ AVERTISSEMENT :**

### RISQUE DE PROJECTION D'OBJETS

RISQUE	PRÉVENTION
<ul style="list-style-type: none"><li>Le jet d'air comprimé peut causer des lésions aux tissus mous de la peau exposée et peut projeter de la saleté, des copeaux, des particules libres et de petits objets à haute vitesse, risquant de causer des dommages à la propriété ou des blessures.</li></ul>	<ul style="list-style-type: none"><li>Porter toujours des lunettes de protection homologuées CAN/CSA Z94.3 (ANSI Z87.1) avec des écrans latéraux lors de l'utilisation du compresseur.</li><li>Ne jamais diriger la buse ou le vaporisateur vers soi, vers d'autres personnes ou vers des animaux.</li><li>Toujours placer le compresseur hors fonction et purger la pression du tuyau d'air et du réservoir, avant d'entreprendre l'entretien ou d'y attacher des outils ou accessoires.</li></ul>

## DANGER



**⚠ AVERTISSEMENT :**

### RISQUE DE BRÛLURES

RISQUE	PRÉVENTION
<ul style="list-style-type: none"><li>Le fait de toucher aux surfaces de métal exposées comme la tête du compresseur, l'échappement du moteur ou les tubes de sortie, peut causer de graves brûlures à la peau.</li></ul>	<ul style="list-style-type: none"><li>Ne jamais toucher aux pièces de métal exposées du compresseur durant ou immédiatement après le fonctionnement. Le compresseur demeure chaud pendant plusieurs minutes après le fonctionnement.</li><li>Ne pas tenter d'atteindre les composantes situées derrière les boîtiers de protection et ne pas effectuer des procédures d'entretien, avant d'avoir laissé refroidir l'appareil.</li></ul>

## DANGER



**AVERTISSEMENT :** RISQUE RELIÉ AUX PIÈCES MOBILES

RISQUE	PRÉVENTION
<ul style="list-style-type: none"><li>Les pièces mobiles telles que la poulie, le volant-moteur et la courroie peuvent entraîner des blessures graves, si elles entrent en contact avec une partie du corps ou des vêtements.</li></ul>	<ul style="list-style-type: none"><li>Ne jamais faire fonctionner le compresseur sans les boîtiers ni les couvercles ou lorsque ceux-ci sont endommagés ou retirés.</li><li>Maintenir les cheveux, vêtements et gants à l'écart des pièces mobiles. Les vêtements amples, bijoux et cheveux longs peuvent se prendre dans les pièces mobiles.</li><li>Les ouvertures d'aération peuvent couvrir des pièces mobiles et devraient également être évitées.</li></ul>
<ul style="list-style-type: none"><li>En tentant de faire fonctionner le compresseur avec des pièces manquantes ou endommagées ou de réparer le compresseur sans les boîtiers de protection, on s'expose aux pièces mobiles, pouvant entraîner des blessures graves.</li></ul>	<ul style="list-style-type: none"><li>Toute réparation requise sur cet appareil devrait être effectuée par le personnel d'un centre de service autorisé.</li></ul>

## DANGER



**AVERTISSEMENT :** RISQUE D'UTILISATION DANGEREUSE

RISQUE	PRÉVENTION
<ul style="list-style-type: none"><li>Une utilisation dangereuse du compresseur d'air pourrait causer des blessures graves ou la mort de l'utilisateur ou d'autres personnes.</li></ul>	<ul style="list-style-type: none"><li>Lisez attentivement tous les directives et les avertissements figurant dans ce manuel.</li><li>Il est nécessaire de se familiariser avec le fonctionnement et les commandes du compresseur d'air.</li><li>Maintenir les personnes, animaux de compagnie et obstacles éloignés de l'aire de travail.</li><li>Maintenir les enfants éloignés du compresseur d'air en tout temps.</li><li>Ne pas utiliser le produit lorsque vous êtes fatigué ou sous l'influence d'alcool ou de drogues. Il est nécessaire de demeurer alerte à tout moment.</li><li>Ne jamais tenter d'annuler les caractéristiques de sécurité de ce produit.</li><li>S'assurer de la présence d'un extincteur d'incendie disponible dans l'aire de travail.</li><li>Ne pas utiliser le produit avec des pièces brisées, manquantes ou non autorisées.</li></ul>

## DANGER



**⚠ AVERTISSEMENT :**

### RISQUE DE CHUTE

RISQUE	PRÉVENTION
<ul style="list-style-type: none"><li>Un compresseur portatif peut tomber d'une table, d'un établi ou d'un toit. L'impact peut causer des dommages au compresseur et des blessures graves ou la mort de l'utilisateur.</li></ul>	<ul style="list-style-type: none"><li>Toujours s'assurer de la stabilité du compresseur avant de le faire fonctionner, afin de prévenir tout mouvement accidentel de l'unité. Ne jamais utiliser un compresseur sur un toit ou dans une position élevée ; utiliser plutôt un tuyau d'air additionnel pour atteindre les endroits en hauteur.</li></ul>

## DANGER



**⚠ AVERTISSEMENT :**

### RISQUE DE BLESSURES DUS A L'EFFORT DE SOULEVEMENT

RISQUE	PRÉVENTION
<ul style="list-style-type: none"><li>De sérieuses blessures peuvent survenir, en tentant de soulever un article trop lourd.</li></ul>	<ul style="list-style-type: none"><li>Le compresseur est trop lourd pour être soulevé par une seule personne. Il est nécessaire de recourir à de l'aide, avant de soulever.</li></ul>

## DANGER



**⚠ ATTENTION :**

### RISQUE ASSOCIÉ AU BRUIT

RISQUE	PRÉVENTION
<ul style="list-style-type: none"><li>Dans certaines conditions et selon la durée d'utilisation, le bruit provoqué par ce produit peut contribuer à une perte auditive.</li></ul>	<ul style="list-style-type: none"><li>Toujours utiliser un équipement de sécurité homologué pour la protection auditive conforme à la norme ANSI S12.6 (S3.19).</li></ul>

**CONSERVER CES DIRECTIVES POUR UN USAGE ULTÉRIEUR**

## TABLEAU DE SPÉCIFICATION

<b>Modèle no :</b>	<b>C151BD</b>
Puissance de service	1.7 HP*
Alésage	73,025 mm (2.875 po.)
Course de piston	36,83 cm (1.45 po)
Tension	120
Monophasé Hz	60
Exigence minimum – Circuit de dérivation	15 ampères
Type de fusible	Retardement
Capacidad de aire en el tanque	56.8 litres (15 gal.)
Presión de aire máxima	225 PSI
Presión de corte de entrada	175 PSIG
Presión de corte de salida	225 PSIG
SCFM a 40 psig	6.8 * Calibre de livres sterling par pouce carrée
SCFM a 90 psig	5.1 * Calibre de livres sterling par pouce carrée

\* Testé selon ISO 1217

Référer au glossaire pour les abréviations.

## GLOSARIO

### **Filtre à air**

Élément poreux situé à l'intérieur d'un boîtier en métal ou en plastique, fixé à la culasse du compresseur, servant à retirer les impuretés de l'entrée d'air du compresseur.

### **Réservoir à air**

Composant cylindrique contenant l'air comprimé.

### **Clapet de non-retour**

Dispositif empêchant l'air comprimé de retourner du réservoir à air vers la pompe du compresseur.

### **Pression d'enclenchement**

Le niveau de basse pression où le moteur redémarre automatiquement.

### **Pression de coupure**

Le niveau de basse pression où le moteur s'éteint automatiquement.

### **Moteur électrique**

Dispositif fournissant la puissance rotative nécessaire, pour faire fonctionner la pompe du compresseur.

### **Filetage NPT (National Pipe Thread)**

Un ruban pour joints filetés doit être utilisé pour assurer un joint sans fuite des connexions de tuyaux filetés.

### **Bouton du régulateur de pression**

Ajuste la pression de départ, à partir de la sortie d'air vers l'outil. Il est possible d'augmenter ou de diminuer la pression à la sortie, en ajustant ce bouton de contrôle.

### **Manostat**

Contrôle automatiquement le cycle de mise en marche / arrêt du compresseur. Il arrête le compresseur lorsque la pression de coupure dans le réservoir est atteinte et redémarre le compresseur lorsque la pression d'air chute sous le seuil d'enclenchement. Le manostat ne démarrera pas ni ne contrôlera automatiquement le compresseur, à moins que l'interrupteur manuel de mise en marche / arrêt (AUTO/Off Switch) ne soit en position "AUTO".

### **PSI (Livres par pouce carré)**

Unité de mesure de la pression exercée par la force de l'air. Cette mesure est calculée par un manomètre situé sur le compresseur.

### **Pompe**

Produit l'air comprimé à l'aide d'un piston alternatif, situé à l'intérieur du cylindre.

### **Manomètre de sortie**

Affiche la pression principale réelle. La pression principale est réglée, en tournant le bouton du régulateur de pression.

### **Soupape de retour**

Empêche la pression d'air dans le réservoir d'air d'excéder une limite prédéterminée.

### **PCM standard (Pied cube par minute)**

Unité de mesure du débit d'air.

### **Manomètre de réservoir**

Indique la pression d'air à l'intérieur du réservoir d'air.

### **Interrupteur de surcharge thermique**

Éteint automatiquement le compresseur si la température du moteur électrique excède une limite prédéterminée.

## **CYCLE DE SERVICE**

La pompe de ce compresseur d'air est capable de fonctionner de façon continue. Toutefois, pour prolonger la durée de vie du compresseur d'air, nous vous recommandons de conserver un cycle de service moyen de 50 % à 75 % : c'est-à-dire que la pompe du compresseur d'air ne devrait pas fonctionner plus que 30 à 45 minutes dans une heure particulière.

## **ACCESSOIRES**

Les accessoires sont disponibles au magasin où l'unité a été achetée.

**▲ AVERTISSEMENT :** L'utilisation de tout autre accessoire non recommandé à utiliser avec cet outil, pourrait s'avérer dangereuse. Utiliser uniquement des accessoires de classement égal ou supérieur à celui du compresseur d'air.

## VUE D'ENSEMBLE

### Interrupteur d'alimentation

Celui-ci contrôle l'alimentation électrique au moteur et également les réglages de pression d'enclenchement et de coupure. Cet interrupteur sert également pour les positions "Auto / Mise en marche / Arrêt" de cette unité.



### Filtre de prise d'air

Procure de l'air propre à la pompe et doit être toujours maintenue libre de débris. Vérifier sur une base quotidienne ou avant chaque usage.



### Manomètre pour outils

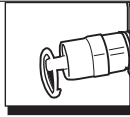
Indique la pression d'air sortante vers l'outil et est contrôlé par le régulateur.

### Manomètre pour réservoir

Indique la pression d'air en réserve dans le réservoir.

### Soupape de sécurité du réservoir

Utilisée pour permettre un excédent de pression à l'intérieur du réservoir de s'échapper dans l'atmosphère. Cette soupape ne devrait s'ouvrir que lorsque la pression du réservoir excède la pression nominale maximum.

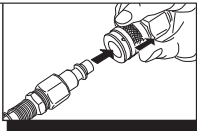


### Régulateur

La pression d'air provenant du réservoir d'air est contrôlée par le régulateur. Pour augmenter la pression, tourner le bouton dans le sens horaire et pour diminuer, tourner le bouton dans le sens antihoraire.

### Raccord à connexion rapide

Offre une caractéristique à déclenchement rapide, pour assembler et désassembler le tuyau d'air.



### Soupape de vidange du réservoir

Utilisée pour purger la condensation à l'intérieur du réservoir. Située à la partie inférieure du réservoir.

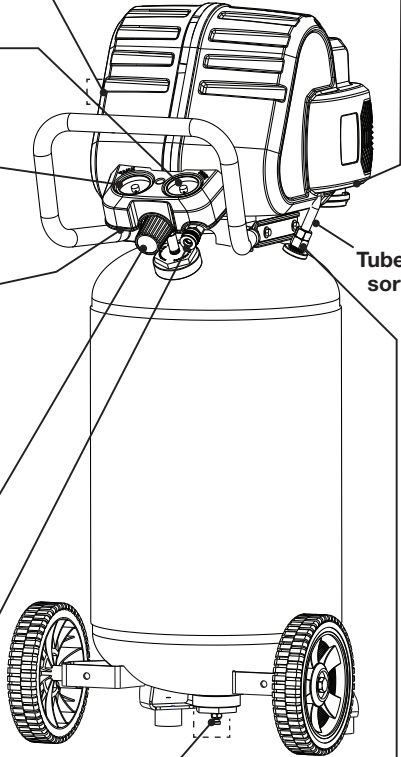


### Clapet de non-retour

Lorsque la pompe ne fonctionne pas, le clapet se ferme, pour conserver la pression d'air à l'intérieur du réservoir. Un composant interne.



Tube de sortie





# ASSEMBLAGE

## ASSEMBLAGE DU COMPRESSEUR

### ⚠ AVERTISSEMENT :

Le compresseur d'air devrait être éteint, débranché de la source d'alimentation, l'air purgé du réservoir et permettre à l'unité de refroidir, avant de procéder à quelque entretien. Des blessures peuvent survenir en présence de pièces mobiles, sources électriques, air comprimé et surfaces chaudes. L'assemblage à connexion rapide doit être fixé avant l'usage. Le défaut d'assembler correctement ces éléments pourrait provoquer des fuites et possiblement des blessures. Si vous avez des doutes quant aux directives d'assemblage ou que vous expérimentez des difficultés durant l'assemblage, veuillez contacter votre département local de service pour plus d'information.

1. Déballez le compresseur d'air. Inspectez-le pour déceler des dommages. Si l'unité a été endommagée pendant le transport contactez le transporteur et complétez une réclamation pour dommages Procédez immédiatement, considérant les délais limites des demandes relatives aux réclamations.
2. Vérifiez l'étiquette du numéro de série du compresseur, pour vous assurer qu'il s'agit bien du modèle commandé et que la pression nominale est conforme à l'utilisation prévue.
3. Positionnez le compresseur conformément aux recommandations suivantes :
  - a. Placez le compresseur près d'une prise de courant avec mise à la terre.
  - b. Le compresseur doit être situé à au moins 31 cm (12 po) de tout mur ou obstruction dans un endroit bien ventilé et propre, assurant une circulation d'air et un refroidissement suffisants.
  - c. Dans des climats froids, rangez les compresseurs portatifs dans un bâtiment chauffé lorsqu'ils ne sont pas en service. Une telle procédure réduira les problèmes de démarrage du moteur et de gel de l'eau produite par condensation.
  - d. Retirez le compresseur de sa boîte et placez-le sur le plancher ou sur une surface dure et de niveau. Le compresseur doit être de niveau pour assurer le drainage de l'humidité dans le réservoir.

# INSTALLATION

## POUR COMMENCER :

### Emplacement du compresseur d'air

Le compresseur d'air doit être situé dans un emplacement propre, sec et bien aéré. Le compresseur d'air doit posséder un espace libre de 30 cm (12 po) de chaque côté. L'entrée du filtre à air devrait être libre de tout débris ou obstruction. Vérifiez le filtre quotidiennement, pour vous assurer qu'il soit propre et en bon état de fonctionnement.

### Risque d'incendie ou d'explosion

Ce produit comprend un interrupteur muni de points de contact à action brusque et un moteur électrique universel ayant tendance à produire des arcs et étincelles ; donc, il ne devrait pas être exposé à des liquides et émanations inflammables. Ce produit n'est pas conçu pour une installation ni un usage dans un environnement de garage ni d'atelier commercial.

### Directives de mise à la terre

Ce produit doit être mis à la terre. En cas de court-circuit électrique, la mise à la terre réduit les risques de décharges électriques en fournissant un fil par lequel le courant électrique peut. Ce produit est équipé d'un câble d'alimentation muni d'un fil de terre et d'une fiche de terre appropriée. (Voir Figure 3.) Cette fiche doit être branchée sur une prise de courant qui a été mise à la terre et installée conformément à toutes les normes et décrets locaux. Vérifiez auprès d'un électricien qualifié ou personnel de service, si ces directives ne sont pas complètement comprises ou si vous avez des doutes que l'outil soit mis à la terre adéquatement.



**▲ DANGER :**

Une installation inappropriée de la fiche de mise à la terre risque de provoquer des décharges électriques.

Si une réparation ou un remplacement du cordon

d'alimentation ou de la fiche est nécessaire, ne fixez pas

le câble de mise à la terre à l'une des lames plates de la fiche. Le câble de terre est recouvert d'une gaine verte d'isolement, avec ou sans rayures jaunes. La substitution du mot-indicateur "DANGER" pour "AVERTISSEMENT" n'est pas interdite, lorsque le risque associé au produit est tel qu'il existe une situation qui, si elle n'est pas évitée, causera la mort ou de graves blessures. Vérifiez auprès d'un électricien qualifié ou personnel de service, si ces directives ne sont pas complètement comprises ou si vous avez des doutes que l'outil soit mis à la terre adéquatement. Ne modifiez pas la fiche fournie avec l'unité ; si elle ne s'adapte pas à la prise de courant, faites installer une prise de courant inappropriée par un électricien qualifié.

Ce produit est conçu pour être utilisé sur un circuit nominal de 120 volts et possède une fiche avec mise à la terre, semblable à la fiche illustrée dans la Figure 3. Ne branchez l'unité que dans une prise de courant possédant la même configuration que la fiche. N'utilisez pas d'adaptateur avec ce produit.

# INSTALLATION

## POUR COMMENCER :

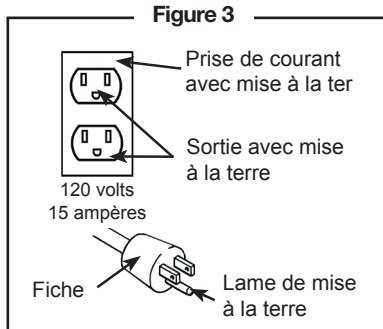
### Rallonges

Utilisez seulement une rallonge à trois fils, munie d'une fiche à trois lames avec mise à la terre et une prise de courant à trois fentes, acceptant la fiche sur l'unité. Assurez-vous que la rallonge est en bon état. À l'usage d'une rallonge, assurez-vous d'utiliser une rallonge possédant un calibre suffisamment robuste, pour transporter le courant électrique requis par votre outil. Les rallonges ne doivent pas excéder 15,5 m (50 pi) et le calibre.

12 AWG doit être utilisé. Une rallonge de calibre inférieur entraînera une perte de puissance ainsi qu'une surchauffe.

### Procédures de rodage

Aucune procédure de rodage n'est requise par l'utilisateur. Ce produit a été testé en usine, pour en assurer un fonctionnement et un rendement appropriés.

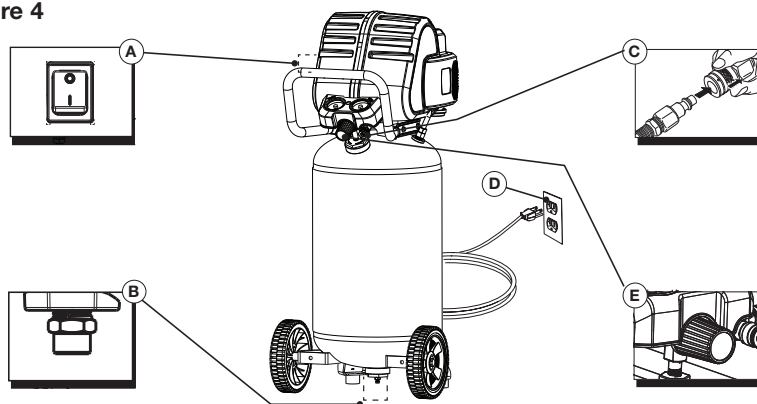


# MODE D'EMPLOI

## DÉMARRAGE QUOTIDIEN (Figure 4)

1. Placez l'interrupteur d'alimentation en position fermée (Off) (A).
2. Vérifiez le compresseur d'air, le tuyau à air et tous les accessoires/outils utilisés, pour détecter tout dommage ou obstruction. Si un des articles mentionnés requiert une réparation / remplacement, contactez votre concessionnaire local autorisé, avant de procéder à l'usage.
3. Fermez la soupape de vidange. (B)
4. Fixez le tuyau à air au raccord à connexion rapide de l'assemblage du régulateur, en insérant la fiche à connexion rapide du tuyau à air dans le raccord à connexion rapide. Le collet du raccord à connexion rapide exécutera un clic vers l'avant et bloquera la fiche en place, procurant un joint étanche entre le raccord et la fiche. Pour désassembler le tuyau à air, poussez le collet vers l'arrière, sur le raccord à connexion rapide. (C)
5. Branchez le câble d'alimentation dans le réceptacle approprié. (D)
6. Tournez l'interrupteur d'alimentation en position ouverte (On) et le compresseur démarrera et bâtera la pression d'air jusqu'à la pression de coupure et se fermera automatiquement par la suite. (A)
7. Ajustez le régulateur au niveau de PSI requis selon votre application et assurez-vous que ce niveau se retrouve dans les normes requises de sécurité, pour accomplir la tâche désirée. Si vous utilisez un outil pneumatique, le fabricant devrait indiquer les recommandations dans le manuel, pour les réglages de PSI, selon l'outil spécifique. (E)

Figure 4



## ARRÊT (Figure 4)

1. Placez l'interrupteur d'alimentation en position fermée (Off) (A)
2. Débranchez le cordon d'alimentation de son réceptacle. (D)
3. Sur le régulateur, réglez la pression de sortie à zéro. (E)
4. Retirez tous les outils et accessoires pneumatiques.
5. Ouvrez la soupape de vidange, pour permettre la purge d'air du réservoir. Lorsque tout l'air du réservoir a été purgé, fermez la soupape de vidange pour éviter une accumulation de débris dans la soupape. (B)

**⚠ ATTENTION :** Lors de la purge d'air du réservoir, utilisez toujours une protection auditive et oculaire. Purgez le réservoir à un emplacement approprié. La condensation sera présente dans la plupart des procédures de purge.

**⚠ AVERTISSEMENT :** L'eau demeurant dans le réservoir durant le rangement produira de la corrosion et affaiblira le réservoir d'air et pourrait provoquer une rupture du réservoir. Pour éviter de sérieuses blessures, assurez-vous de purger le réservoir après chaque usage ou quotidiennement.

# ENTRETIEN

**⚠ AVERTISSEMENT :** Pour éviter les risques de blessures, arrêtez et débranchez toujours le compresseur et libérez toute la pression d'air du système, avant de procéder à tout entretien sur le compresseur à air.

**⚠ AVERTISSEMENT :** Afin d'assurer un rendement efficace et une durée de vie utile plus longue du compresseur d'air, un calendrier d'entretien doit être préparé et observé. Le calendrier d'entretien suivant a été établi pour un consommateur dont le compresseur est utilisé tous les jours dans les conditions normales d'un milieu de travail.

Calendrier d'entretien	
Articles à vérifier/changer	Avant chaque usage ou tous les jours
Vérifier la soupape de sécurité du réservoir	X
Vérifier visuellement l'ensemble de l'unité	X
Purger le réservoir	X
Vérifiez Cordon dommages	X

**⚠ ATTENTION :** Le moteur est équipé d'un Interrupteur de surcharge thermique avec rétablissement automatique, qui éteindra le moteur en cas de surchauffe.

Si l'interrupteur de surcharge thermique est déclenché, il est nécessaire de laisser le moteur refroidir, avant qu'il ne soit possible de le redémarrer.

**REMARQUE :** Le moteur redémarrera automatiquement sans avertissement, si l'unité demeure branchée à une prise de courant, avec l'interrupteur " Auto-On/Off " en position ouverte (On).

# ENTRETIEN

## DRAINAGE DU RÉSERVOIR

**⚠ AVERTISSEMENT :** La condensation s'accumulera dans le réservoir. De façon à prévenir la formation de corrosion à l'intérieur du réservoir, cette humidité doit être drainée à la fin de chaque jour de travail. Assurez-vous de porter une protection oculaire. Relâchez la pression d'air du système et ouvrez la soupape de drainage située à la partie inférieure du réservoir et penchez le réservoir pour bien drainer.

**REMARQUE :** En régions froides, drainez le réservoir après chaque usage, pour réduire les problèmes de congélation de la condensation d'eau.

## VÉRIFICATION DE LA SOUPAPE DE SÉCURITÉ (Figure 5)

Portez une protection auditive et oculaire, avant d'effectuer les étapes suivantes :

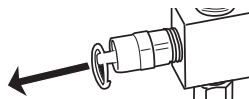
1. Placez l'interrupteur ON (I) / OFF (O) en position de mise en marche (ON) et attendez que le réservoir se remplisse. Le compresseur s'arrêtera automatiquement, lorsque la pression atteindra le maximum pré réglé.
2. Placez l'interrupteur ON (I) / OFF (O) en position d'arrêt (OFF)
3. Tirez l'anneau de la soupape de sécurité, jusqu'à ce que l'air s'échappe du réservoir. Relâchez l'anneau.
4. L'air devrait cesser de sortir avec de 20 à 90 PSI demeurant dans le réservoir. Si la soupape de sécurité ne permet pas à l'air de s'échapper en tirant l'anneau, ou ne se ferme pas automatiquement, elle doit être remplacée. Cessez l'utilisation et faites-la réparer, avant d'utiliser le compresseur d'air à nouveau.

## RANGEMENT

Pour procéder au rangement du compresseur d'air, assurez-vous de suivre ces consignes :


1. Fermez l'unité et débranchez le cordon d'alimentation du réceptacle.
2. Retirez tous les tuyaux d'air, accessoires et outils pneumatiques du compresseur d'air.
3. Exécutez le calendrier d'entretien quotidien.
4. Ouvrez la soupape de drainage, pour purger tout l'air du réservoir.
5. Fermez la soupape de drainage.
6. Protégez le cordon électrique et le tuyau d'air contre les dommages (par exemple, par piétinement ou écrasement). Enroulez-les sans resserrer autour de la poignée du compresseur.
7. Rangez le compresseur d'air dans un endroit propre et sec

Figure 5



## GUIDE DE DÉPANNAGE

**▲ AVERTISSEMENT :** Risque d'une utilisation dangereuse. L'unité est automatiquement en cycle quand l'alimentation électrique fonctionne. Durant le service, vous pourriez être exposé à des sources de tension, à l'air comprimé ou à des pièces mobiles. Avant de faire le service de l'unité, débranchez ou déconnectez l'alimentation électrique au compresseur d'air, purgez la pression du réservoir et laissez le compresseur d'air se refroidir.

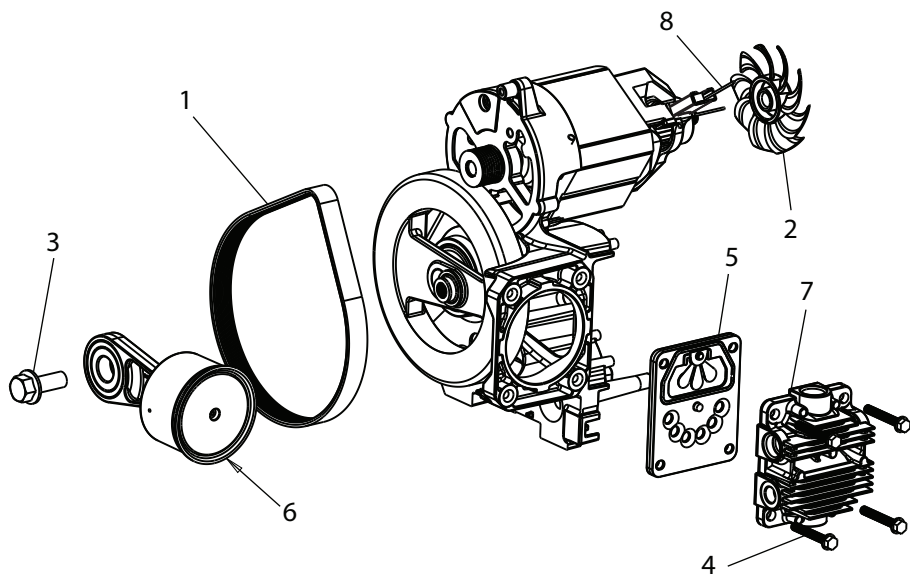
PROBLÈME	CAUSE	CORRECTION
Basse pression, manque d'air ou le compresseur ne s'arrête pas.	Soupape de drainage ouvert.	Fermer la soupape de drainage.
	Fuite des raccords.	Vérifier les raccords à l'eau savonneuse. Resserrer ou étanchéifier les raccords. <b>NE PAS TROP RESSERRER.</b>
	Entrée d'air obstruée.	Nettoyer ou remplacer l'élément du filtre d'entrée d'air.
<b>▲ AVERTISSEMENT :</b> 	Usage excessif d'air.	Réduire l'usage d'air comprimé.
	Compresseur pas assez puissant.	Vérifier le débit d'air requis par l'accessoire. S'il est supérieur au débit PCM (pi3 /min.) et à la pression fournis par le compresseur, ce dernier doit être plus puissant. La plupart des accessoires ont un facteur d'utilisation de 25% du débit réel en fonctionnement continu.
	Fuite d'un tuyau à air.	Vérifier ou remplacer au besoin.
	Fuite du réservoir.	<b>▲ AVERTISSEMENT :</b> Remplacer immédiatement le réservoir. <b>NE PAS tenter une réparation.</b>
	Éclatement de joints.	Remplacer les joints.
	Fuite de soupape.	Remplacer les joints.
	Piston usé ou fuya.	Remplacer le piston.
	Fuites d'air du régulateur ou le régulateur n'ajuste pas la pression.	Pièces internes du régulateur sales ou endommagées.
La lecture du manomètre à régulation chute lors de l'utilisation d'air.	Situation normale.	Si la pression chute trop, ajuster le régulateur pendant l'usage d'un l'accessoire.
	Compresseur n'est pas assez puissant.	Vérifier le débit d'air requis pour l'accessoire. S'il est supérieur au débit PCM (pi3 /min.) et à la pression fournis par le compresseur ce dernier doit être plus puissant. La plupart des accessoires ont un facteur d'utilisation de 25% du débit réel en fonctionnement continu.

<b>PROBLÈME</b>	<b>CAUSE</b>	<b>CORRECTION</b>
La soupape de retour s'ouvre.	La pression du réservoir excède la pression normale de fonctionnement.	Remplacer le manostat.
	Manostat est bloqué.	Remplacer le manostat.
Le moteur ne fonctionne pas.	La pression du réservoir dépasse la limite prééglée du manostat.	Le moteur démarrera automatiquement lorsque la pression du réservoir chute sous la pression d'enclenchement du réservoir.
	S'assurer que l'Interrupteur de surcharge thermique n'a pas été déclenché. Le moteur possède un coupe-circuit thermique qui se déclenche au besoin, pour protéger le moteur des dommages causés par la surchauffe.	Pour réinitialiser le protecteur de surchauffe du moteur, enfoncer le bouton à bascule de l'interrupteur d'alimentation en position fermée (OFF) et débrancher l'unité de la prise de courant électrique. Laisser au protecteur de surchauffe du moteur le temps de refroidir pendant 10 minutes (minimum) et de se réinitialiser. Par la suite, l'unité peut être rebranchée et redémarrée.
	Fusible grillé ou disjoncteur déclenché.	<ul style="list-style-type: none"> <li>• Remplacer le fusible ou réinitialiser le disjoncteur à un niveau plus puissant que celui spécifié sur votre circuit de déviation.</li> <li>• Vérifier le fusible ; le type T « Fusetron » est acceptable.</li> <li>• Vérifier la faible tension et le calibre de la rallonge.</li> <li>• Débrancher les autres appareils du circuit. Faire fonctionner le compresseur sur un circuit réservé.</li> </ul>
	Le clapet de non-retour est bloqué en position ouverte.	Retirer et nettoyer ou remplacer.
	Calibre incorrect des fils du cordon électrique ou rallonge de longueur excessive.	S'assurer d'un calibre de fils adéquat et d'une rallonge de longueur appropriée.
	Connexions électriques desserrées.	Communiquer avec un centre de service autorisé.
	Peinture vaporisée sur les pièces internes du moteur.	Faire vérifier à un centre de service. Ne pas faire fonctionner le compresseur dans l'aire de peinture.
Possibilité d'un moteur défectueux.	Faire vérifier à un centre de service.	



# DESSIN DES PIÈCES

## ASSEMBLAGE POMPE / MOTEUR

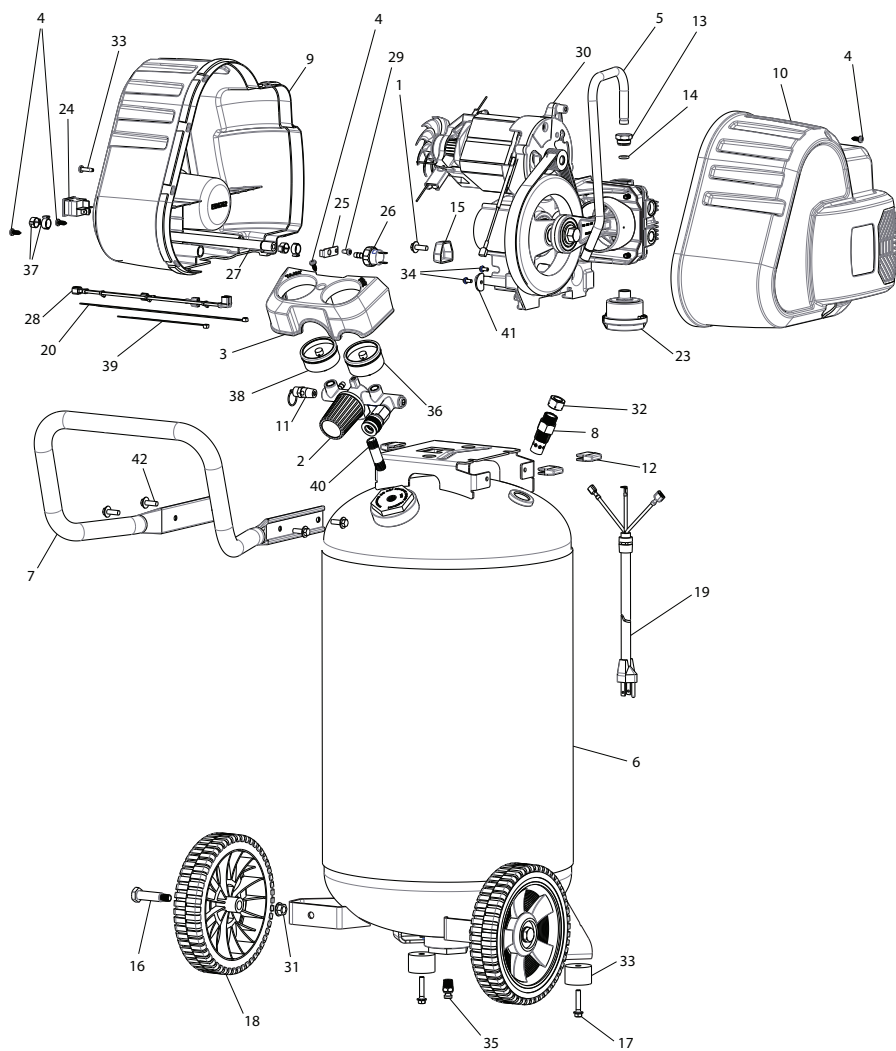


## NOMENCLATURE DES PIÈCES

NO. RÉF.	NO. PIÈCE	DESCRIPTION	QTÉ
1	E106664	COURROIE	1
2	E107844	VENTILATEUR	1
3	E106668	VIS 0,50-20 X 1,25 - COUPLE 100 À 200 PI/LB	1
4	E106669	VIS .25-20 X 1,75, ENSEMBLE DE 4, COUPLE 10-13 PI/LB	4
5	E106670	ASSEMBLAGE DE LA PLAQUE DE LA VANNE	1
6	E106671	TIGE DE CONNEXION/ASSEMBLAGE DU CYLINDRE	1
7	E106672	TÊTE	1
8	E109131	BROSSE DU MOTEUR, ENSEMBLE DE 2	2

# DESSIN DES PIÈCES

C151BD



## NOMENCLATURE DES PIÈCES

NO. RÉF.	NO. PIÈCE	DESCRIPTION	QTE
1	E106660	VIS .25-20 X 0,75, ENSEMBLE DE 3, COUPLE 9-12 PI/LB	1
2	E107996	COLLECTEUR, COMPREND ARTICLE 40	1
3	E106917	COUVERCLE DE CONSOLE	1
4	E106614	VIS DE TERRE #10-24 X .563 ENS. DE 4 (COUPLE 12-30 PO/LB.)	4
5	E107856	TUBE DE SORTIE	1
6	E112784	RÉSERVOIR, COMPREND LES ARTICLES 16, 17, 18, 21, 22, 31, 33, 35	1
7	E107848	POIGNÉE	1
8	E106618	SOUPAPE ANTIRETOUR	1
*9	E107849	ENVELOPPE GAUCHE	1
*10	E107850	ENVELOPPE DROITE	1
11	E107851	SOUPAPE DE SÉCURITÉ	1
12	E106622	ISOLATEUR, ENSEMBLE DE 3	3
13	E106623	COUPLER L'ÉCROU DU TUBE À 15 À 25 PI/LB	1
*14	E106624	RONDELLE 0,362 ID X 0,103 DE LARGEUR	1
15	E106625	SUPPORT À VENTOUSE	1
16	E106626	BOULON À ÉPAULEMENT, ENSEMBLE DE 2	2
17	E112842	VIS .25-20 X 1,125, ENSEMBLE DE 2, COUPLE SERRÉ	2
18	E107857	ROUE, ENSEMBLE DE 2	2
19	E106629	CORDON D'ALIMENTATION	1
20	E106658	COLLIER DE SERRAGE	1
21	E106630	ÉTIQUETTE POUR SURFACE CHAUDE (N'EST PAS AFFICHÉE)	1
22	E106631	ÉTIQUETTE D'AVERTISSEMENT (N'EST PAS AFFICHÉE)	1
23	E106632	ASSEMBLAGE DU FILTRE	1
24	E106633	INTERRUPTEUR À BASCULE	1
25	E106634	MICRO MANOMÈTRE POUR SUPPORT	1
26	E107852	MANOMÈTRE	1
27	E111189	TUYAU	1
28	E106637	ASSEMBLAGE DU FIL DE RACCORDEMENT	1
29	E106638	VIS DE TERRE #8-16 X 0,375 COUPLE 12-30 PO/LB.	1
30	E107853	ASSEMBLAGE DE LA POMPE	1
31	E106640	ÉCROU 0,375-16, ENSEMBLE DE 2	2
32	E106641	ENSEMBLE D'ÉCROU ET DE MANCHON	1
33	E107323	PARE-CHOC EN CAOUTCHOUC, ENSEMBLE DE 2	2
34	E106643	VIS #8-32 X 0,375 ENS. DE 2 (COUPLE 40-50 PO/LB.)	2
35	E109170	ROBINET DE VIDANGE	1
36	E107855	JAUGE 300 PSI 0,25 NPT	1
37	E106648	COLLIER DE SERRAGE, ENSEMBLE DE 2	4
38	E107854	JAUGE 400 PSI 0,25 NPT	1
39	E106659	COLLIER DE SERRAGE	1
40	E107858	MAMELON DE TUYAU 0,25-18 NPT X 2.0	1
41	E106657	RONDELLE	1
42	E106660	VIS .25-20 X 0,75, ENSEMBLE DE 3, COUPLE 3-5 PI/LB	4

## PARTS AND SERVICE

Replacement parts and service are available from your nearest authorized Service Center. If the need arises, contact Product Service as listed at right.

When consulting with a Service Center or Product Service, refer to the model number and serial number located on the serial label of the compressor. Proof of purchase is required for all transactions and a copy of your sales receipt may be requested.

Record the model number, serial number, and date purchased in the spaces provided below. Retain your sales

Model No.

Serial No.

Date Purchased, la date d'achat, la fecha de compra

## PIÈCES ET RÉPARATIONS

Pour pièces de rechange et réparations de votre Centre d'Entretien autorisé le plus proche. Au besoin, veuillez contacter le service après-vente (Product Service) au numéro de téléphone ou à droite.

Lorsque vous appelez un Centre d'Entretien ou le service après-vente, veuillez indiquer le numéro de modèle et le numéro de série situé sur la étiquette de série du compresseur. Une preuve d'achat est nécessaire lors de toute transaction et une copie de votre reçu peut être exigée.

Inscrivez la date d'achat au-dessus de, dans les espaces

receipt and this manual for future reference.

When needing service, please contact the nearest authorized Service Center or call:

### PRODUCT SERVICE



**In U.S.A. or Canada**

**Toll-Free**

**Fax**

**1-888-895-4549**

**1-507-723-5013**

réservé à cet effet. Conservez votre reçu et ce manuel pour référence ultérieure.

Quand vous avez besoin des services de l'usine, s'il vous plaît contactez au centre d'entretien autorisé le plus proche ou composez simplement le :

### SERVICE CLIENTÈ



**Au Canada**

**Appel gratuit**

**Télécopieur**

**1-888-895-4549**

**1-507-723-5013**

Manufactured in USA  
Fabriqué aux États-Unis – Fabricado en USA

**1-888-895-4549**

All Rights Reserved. Tous droits réservés. Reservados todos los derechos.