



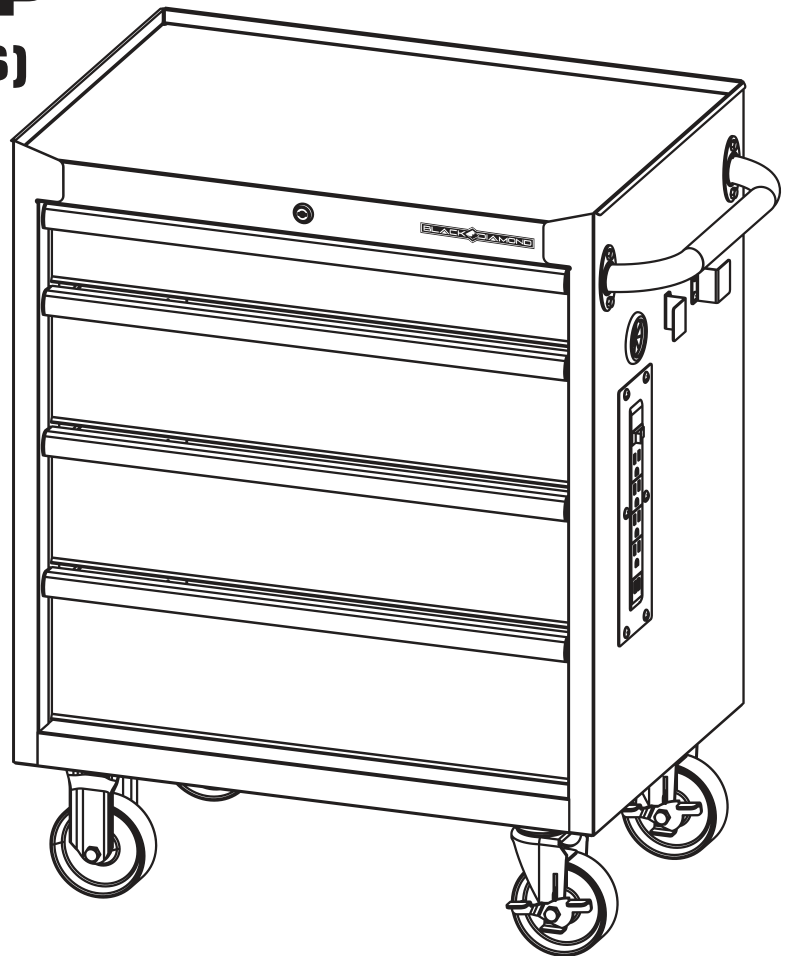
# Owner's Manual & Safety Instructions

## USE AND CARE GUIDE

**Save This Manual** Keep this manual for safety warnings and precautions, assembly, operating, inspection, maintenance and cleaning procedures. Write the product's serial number in the back of the manual near the assembly diagram (or month and year of purchase if product has no number). Keep this manual and the receipt in a safe and dry place for future reference.

# 27" 4-DRAWER TOOL CABINET

**WITH POWER STRIP  
(4 OUTLET + 2 USB PORTS)**



Questions, problems, missing parts?  
Before returning to the store, call  
Black Diamond™ Customer Service:  
888-376-7375 M-F 8am to 5pm CST

### **⚠ WARNING**

Read this material before using this product.  
Failure to do so can result in serious injury.  
**SAVE THIS MANUAL.**

**BDS-27BC4BK**

# TABLE OF CONTENTS

Table of Contents	2
Safety Information	2
Specifications	3
Assembly	4
Operation	5
Maintenance	5
Replacement Parts	6

## SAFETY INSTRUCTIONS AND CAUTIONS

1. Secure this product properly before moving it with a forklift.
2. Do not alter this product in any manner. For example, do not weld external lock bars or attach electrical equipment.
3. When locking this chest, close the drawers firmly and completely in order for the lock bars to work properly.



**CAUTION:** Do not attach or mount this product to a vehicle. This may cause personal injury or product damage. Mounting this product to any vehicle in any manner will void warranty.



**CAUTION:** Do not stand on this product. You may fall which may cause personal injury.



**CAUTION:** Be careful when opening more than one drawer. The product may become unstable and tip, which may cause personal injury or product damage.



**CAUTION:** Keep the product on level surfaces. The product may become unstable and tip if stored or moved on an unlevel surface, which may cause personal injury or product damage.



**CAUTION:** Lock the drawers before moving this product. The drawers could come open and make the product unstable and tip, which may cause personal or product damage.



**CAUTION:** Two people are needed to safely move this unit.

# SPECIFICATIONS

Maximum weight per (chest drawer)	50 lbs.
Maximum product weight, including contents	600 lbs

**NOTE:** Begin product assembly close to the final intended location of your cabinet. This product is heavy and may be difficult to move after assembly.

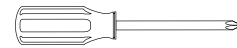
# PACKAGE CONTENTS

## • Hardware Included

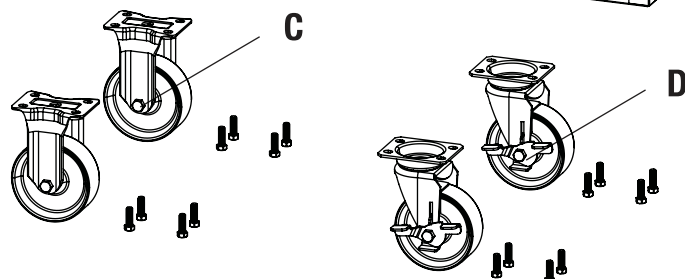
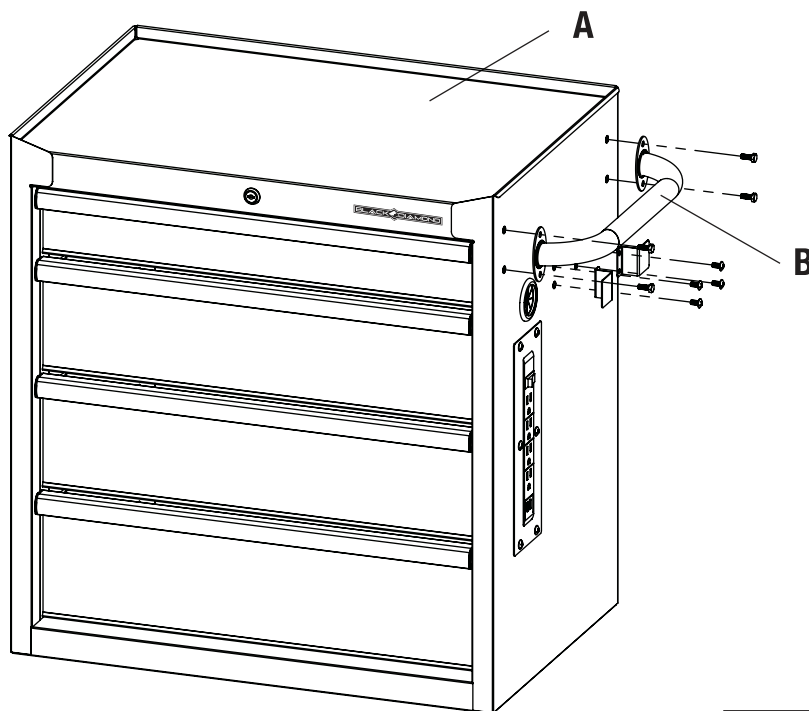
**NOTE:** Hardware not shown to actual size.



**NOTE:** Alternative Tools For Assembly (Not Included).



Part	Description	Quantity
AA	M8 x 25 Bolt	16
BB	M6 x 16 Bolt	4
CC	Wrench	1

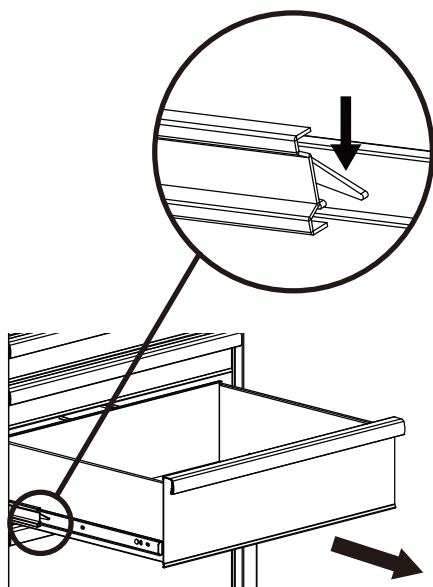


Part	Description	Quantity
A	Cabinet	1
B	Cabinet Handle	1
C	Fixed Caster	2
D	Swivel Caster	2

# OPERATION

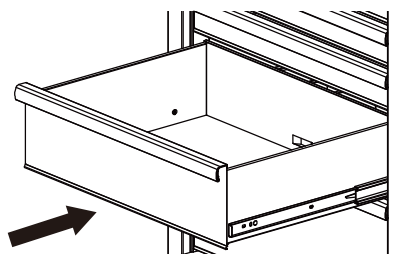
## 1. Removing the Drawers

- Fully extend the empty drawer.
- Push up the one release lever while pulling down on the other release lever.
- Pull the drawer outward until it is released from the drawer slide.



## 2. Re-inserting the Drawers

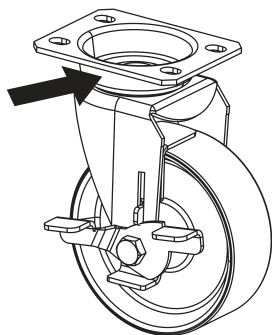
- Extend the drawer slides.
- Insert the brackets on each side of the drawer into the slots in the slides, being careful that they are properly positioned.
- Once properly inserted, completely close the drawer to set the slides in their proper positions.



# MAINTENANCE

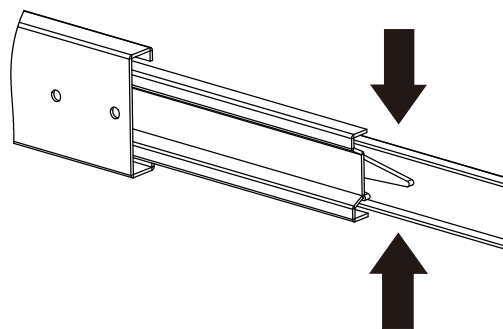
## 1. Caster Maintenance

- Grease the casters annually using high-quality bearing grease



## 2. Drawer maintenance

- Lubricate the drawer slides semi-annually with high-quality bearing grease



- Periodically clean the drawer fronts, drawer trim, and other surfaces with a mild detergent and water.
- Auto wax preserves the storage unit's luster finish and protects against scratches. Apply the wax as you would on a car.
- Remove grease and oil with a standard nonflammable cleaning fluid.

# ASSEMBLY

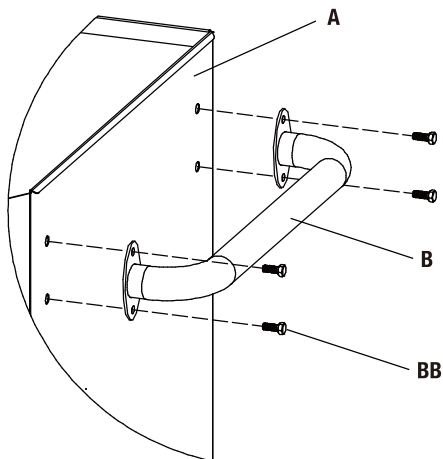
## 1. Attaching the Cabinet Handle

- Position the cabinet handle (B) over the holes on the cabinet (A).
- Attach with the bolts (BB) and tighten with supplied wrench (CC) or 10mm wrench/socket.

NOTE: The holes in the cabinet are tapped and do not require nuts.



CAUTION: Two people are recommended for assembly.

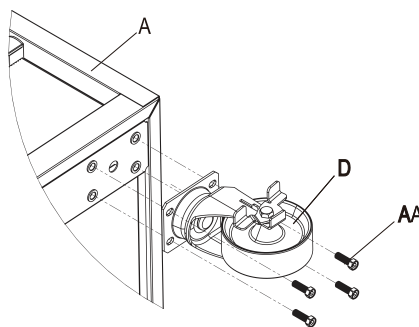


## 2. Attaching the Casters

- Be sure the drawers are locked and lay the cabinet (A) on its top. Use packaging material to protect the finish.
- Attach the swivel casters (D) to the unit, on the same side as the handle, inserting bolts (AA) through the swivel casters (D) and into the cabinet (A).
- Tighten with supplied wrench (CC) or 12 mm wrench/socket.
- Repeat this process for the fixed casters (C) on the opposite side of the cabinet (A).
- Return the cabinet (A) to its upright position.

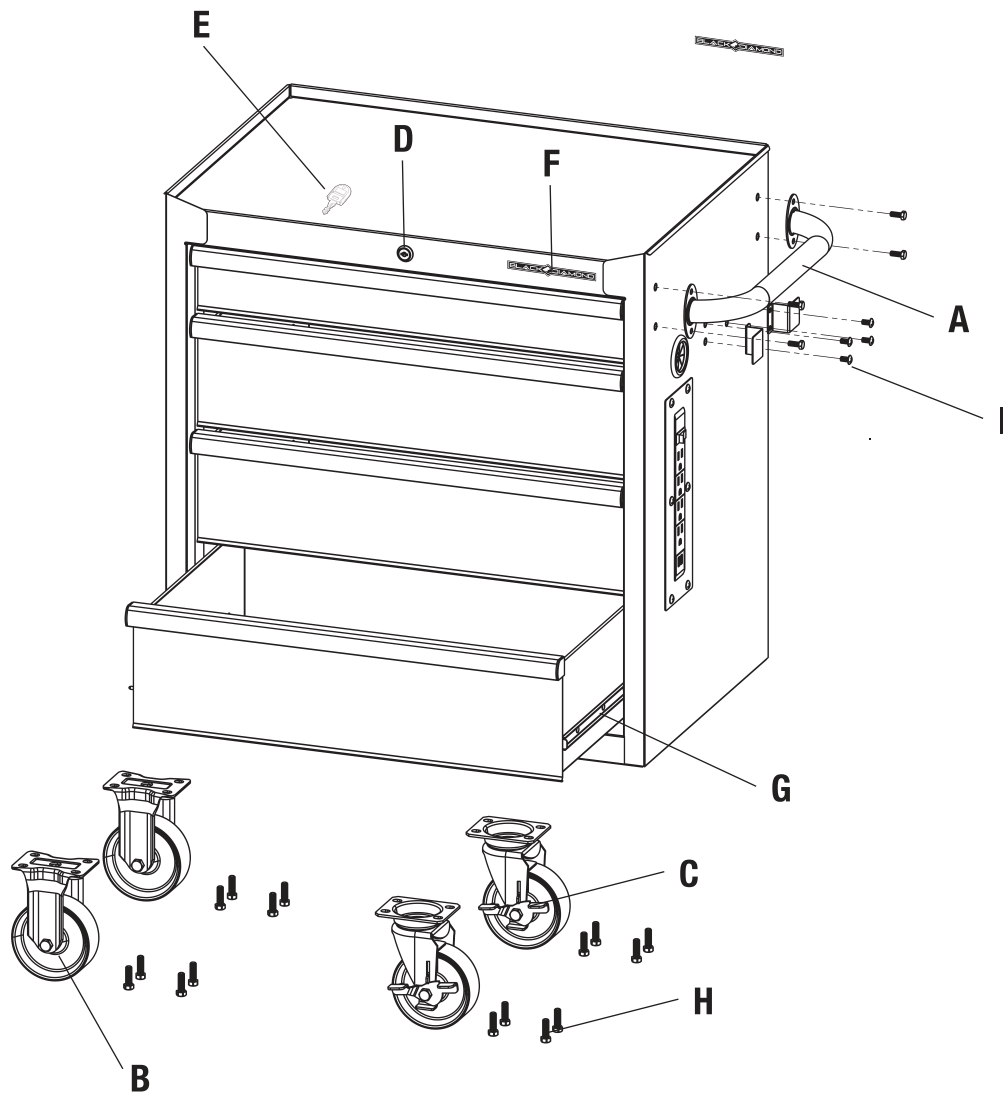


CAUTION: Do not over tighten the bolts.



# REPLACEMENT PARTS

For assistance with replacement parts please call Black Diamond™ Service: 888-376-7375 (M-F 8am to 5pm CST)



Part	Description	Quantity
A	Cabinet Handle	1
B	Fixed Caster	2
C	Swivel Caster	2
D	Lock	1
E	Key	2
F	Badge	1
G	Drawer	4
H	Caster Bolt	16
I	Handle Bolt	4