

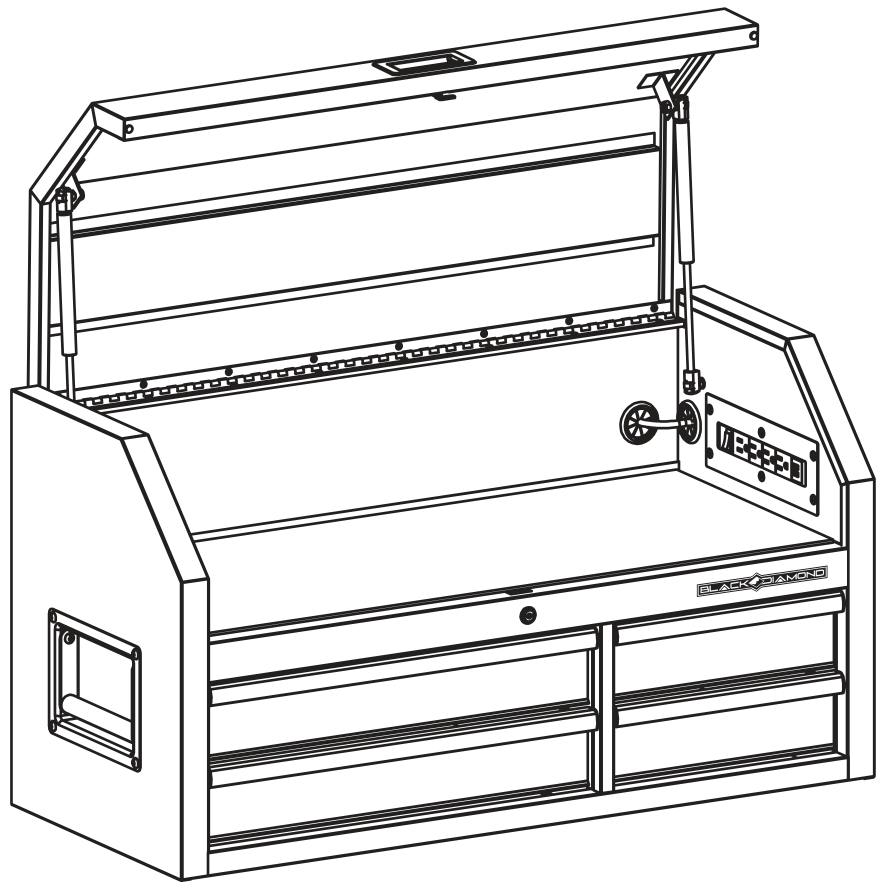


Owner's Manual & Safety Instructions

USE AND CARE GUIDE

Save This Manual Keep this manual for safety warnings and precautions, assembly, operating, inspection, maintenance and cleaning procedures. Write the product's serial number in the back of the manual near the assembly diagram (or month and year of purchase if product has no number). Keep this manual and the receipt in a safe and dry place for future reference.

42" 4-DRAWER TOOL CHEST



Questions, problems, missing parts?
Before returning to the store, call
Black Diamond™ Customer Service:
888-376-7375 M-F 8am to 5pm CST

⚠ WARNING

Read this material before using this product.
Failure to do so can result in serious injury.
SAVE THIS MANUAL.

BDTS-42TC4BK

TABLE OF CONTENTS

Table of Contents	2
Safety Information	2
Specifications	3
Operation	3
Maintenance	5
Replacement Parts	5

SAFETY INSTRUCTIONS AND CAUTIONS

1. Secure this product properly before moving it with a forklift.
2. Do not alter this product in any manner. For example, do not weld external lock bars or attach electrical equipment.
3. When locking this chest, close the drawers firmly and completely in order for the lock bars to work properly.



CAUTION: Do not attach or mount this product to a vehicle. This may cause personal injury or product damage. Mounting this product to any vehicle in any manner will void warranty.



CAUTION: Do not stand on this product. You may fall which may cause personal injury.



CAUTION: Be careful when opening more than one drawer. The product may become unstable and tip, which may cause personal injury or product damage.



CAUTION: Keep the product on level surfaces. The product may become unstable and tip if stored or moved on an unlevel surface, which may cause personal injury or product damage.



CAUTION: Lock the drawers before moving this product. The drawers could come open and make the product unstable and tip, which may cause personal or product damage.



CAUTION: Be careful when closing the cover. Remove hands before the cover closes completely to prevent personal injury.

SPECIFICATIONS

Maximum weight per (chest drawer)	100 lbs.
Maximum product weight, including contents	400 lbs.

NOTE: Begin product assembly close to the final intended location of your cabinet. This product is heavy and may be difficult to move after assembly.

OPERATIONS

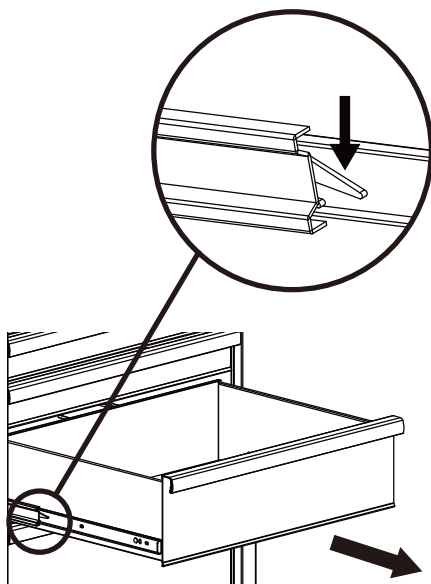
1. Locking and Unlocking the Unit

IMPORTANT: The drawers must be fully closed before locking / unlocking the unit.

- Insert the key and turn it fully to the left to lock.
- Remove the key.
- Insert the key and turn it fully to the right to unlock.
- Remove the key.

2. Removing the Drawers

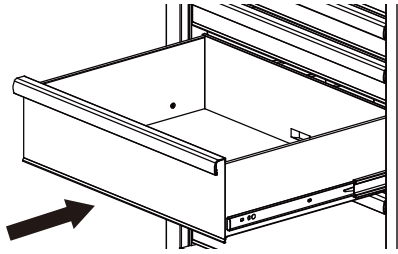
- Fully extend the empty drawer.
- Push up the one release lever while pulling down on the other release lever.
- Pull the drawer outward until it is released from the drawer slide.



3

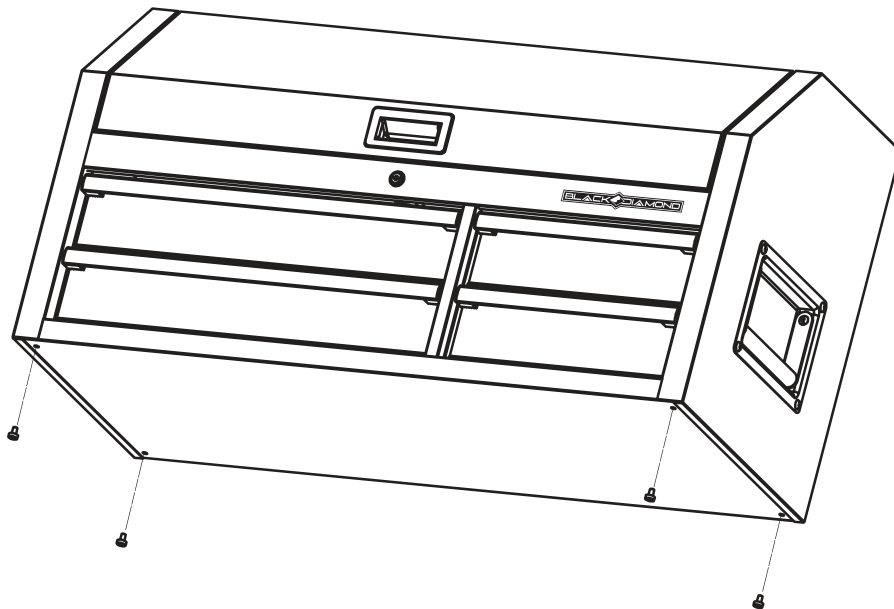
3. Re-Inserting the Drawers

- Extend the drawer slides.
- insert the brackets on each side of the drawer into the slots in the slides, being careful that they are properly positioned.
- Once properly inserted, completely close the drawer to set the slides in their proper positions.



4. Attaching Plastic Feet (Optional)

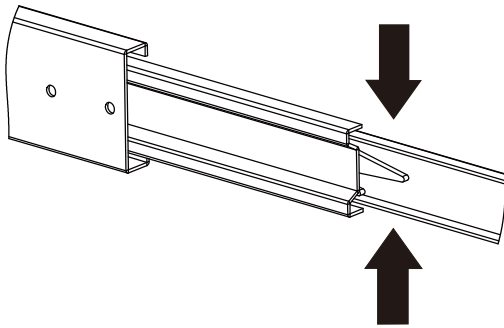
- Insert plastic foot into hole on bottom of chest. Repeat for other 3 feet.



NOTE: 4 Plastic feet are located in bag found in top till.

MAINTENANCE

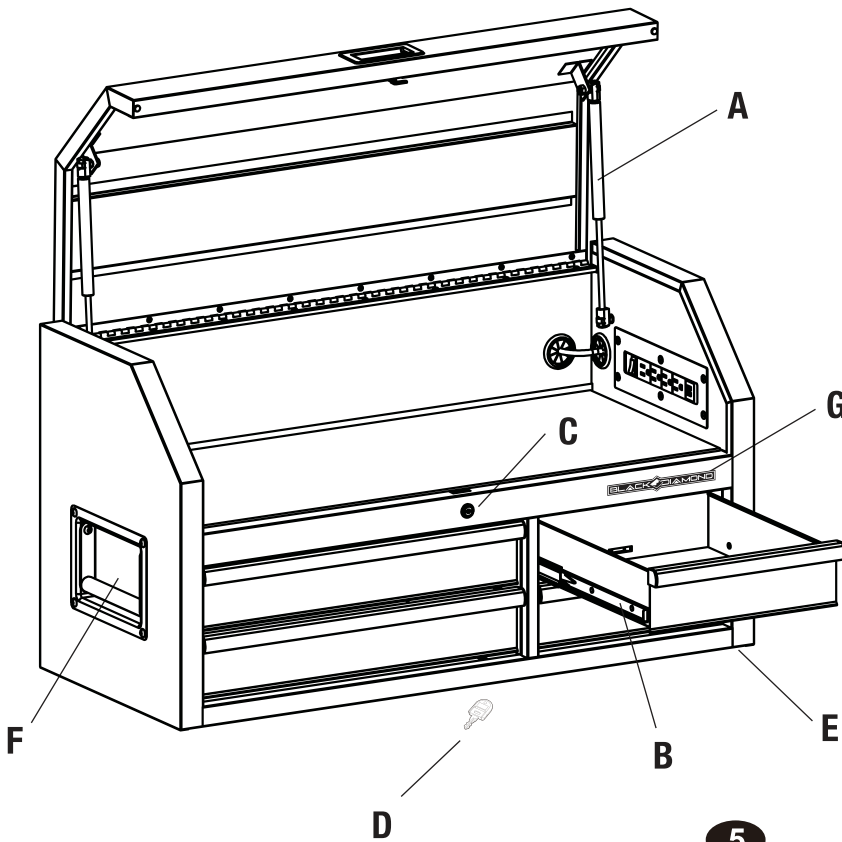
- Lubricate the drawer slides semi-annually.



- Periodically clean the drawer fronts, drawer trim, and other surfaces with a mild detergent and water.
- Auto wax preserves the storage unit's luster finish and protects against scratches. Apply the wax as you would on a car.
- Remove grease and oil with a standard nonflammable cleaning fluid.

REPLACEMENT PARTS

- For assistance with replacement parts please call Black Diamond™ Customer Service: 888-376-7375 (M-F 8am to 5pm CST)



Part	Description	Quantity
A	Gas Strut	2
B	Drawer Slide	4
C	Lock	1
D	Key	2
E	Plastic Foot	4
F	Side Handle	2
G	Badge	1

5