

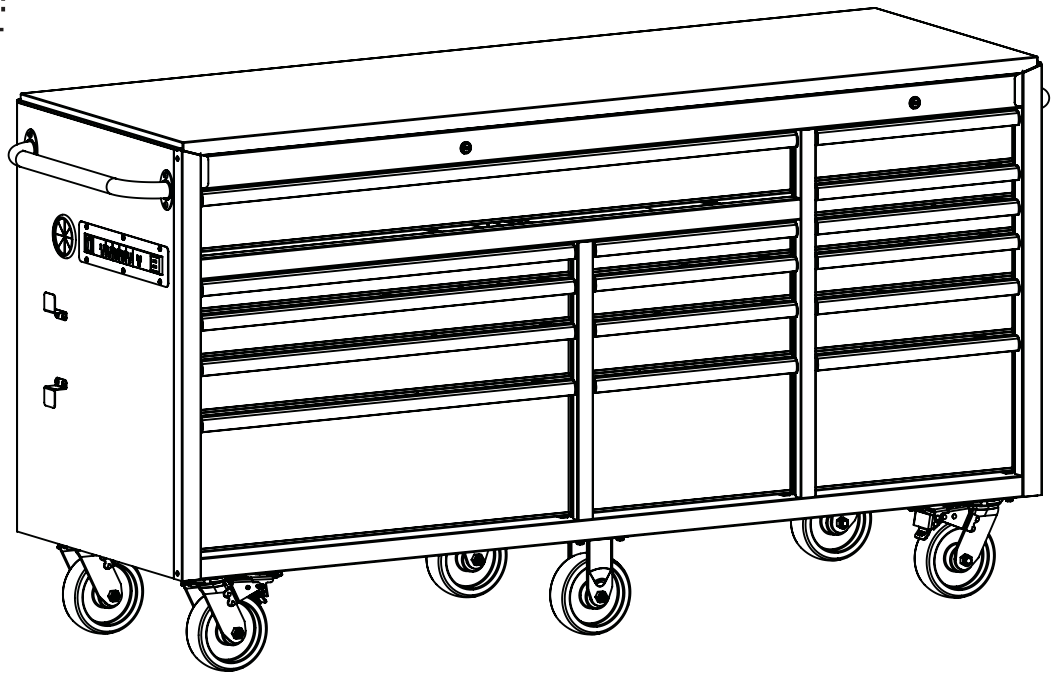


# Owner's Manual & Safety Instructions USE AND CARE GUIDE

**Save This Manual** Keep this manual for safety warnings and precautions, assembly, operating, inspection, maintenance and cleaning procedures. Write the product's serial number in the back of the manual near the assembly diagram (or month and year of purchase if product has no number). Keep this manual and the receipt in a safe and dry place for future reference.

## 72" X 24" HEAVY DUTY 15-DRAWER MOBILE WORKBENCH

Questions, problems, missing parts?  
Before returning to the store, call  
Black Diamond™ Customer Service:  
888-376-7375 M-F 8am to 5pm CST



### **⚠ WARNING**

Read this material before using this product.  
Failure to do so can result in serious injury.  
**SAVE THIS MANUAL.**

**BDTS-72MW15BK**

# TABLE OF CONTENTS

Table of Contents .....	2	Assembly .....	6
Safety Information .....	2	Operations .....	7
Specifications .....	4	Cordless Power Tool Battery Chargers .....	8
Packaging Contents .....	4	Maintenance .....	8
Hardware Included .....	4	Replacement Parts .....	9

# SAFETY INSTRUCTIONS AND CAUTIONS

1. Do not pull this unit, push it when moving.
2. Use the brakes when this product is not being moved. This prevents the product from rolling.
3. Secure this product properly before moving it with a forklift.
4. Do not tow the product with power equipment.
5. Do not alter this product in any manner. For example, do not weld external lock bars or attach electrical equipment.
6. Before locking the cabinet, ensure the drawers are completely closed in order for the lock bars to work properly.



**CAUTION:** Do not attach or mount this product to a vehicle or mobile trailers. This may cause personal injury or product damage.



**CAUTION:** Keep the product on level surfaces. The product may become unstable and tip if stored or moved on an unlevel surface, which may cause personal injury or product damage.



**CAUTION:** Do not stand on this product. You may fall which may cause personal injury or product damage.



**CAUTION:** Lock the drawers before moving this product. The drawers could come open and make this product unstable and tip, which may cause personal or product damage.



**CAUTION:** Be careful when opening more than one drawer. The product may become unstable and tip, which may cause personal injury or product damage.

## 7. Extension cord

- Follow all manufacturers' Warnings and Operating Instructions for your extension cord.
- Do not insert extension cord through hole without grommet in place.
- Only use a three-wire extension cord with all three prongs intact. Never remove the round grounding prong.
- Extension cord must be connected to a 125 Volt GFCI protected outlet with proper ground. If GFCI outlet is not available, use an extension cord with GFCI protection built in.
- Check the insulation and plugs of extension cord before using. Do NOT use cord if it is worn or damaged.
- Do NOT overload extension cord.
- Remove extension cord from the hole before moving or transporting storage cabinet.
- Only use an extension cord that is rated for outdoor use.
- Do NOT connect extension cord to outlet that also supplies critical safety equipment with power.

## 8. Electrical Shock Hazard

- Do not plug cord into outlet with wet hands.
- Do not use this cabinet near a bathtub, a shower, or a swimming pool.
- Cabinet plugs must match the outlet.
- Never modify the plug in any way.
- Do not use any adapter plugs with earth (grounded) cabinet power strips.
- Unmodified plugs and matching outlets will reduce the risk of electric shock.
- Avoid body contact with earthed or grounded surfaces. There is an increased risk of electric shock if your body is earthed or grounded.



**CAUTION: RISK OF ELECTRICAL SHOCK:** This unit has one power supply cord. Make sure the cord is unplugged before any servicing or cleaning.



**WARNING:** Changes or modifications to this unit not expressly approved by the party responsible for compliance could void the user's authority to operate the equipment.



**NOTE:** This device complies with Part 15 of the FCC Rules. Operation is subject to the following two conditions: (1) this device may not cause harmful interference, and (2) this device must accept any interference received, including interference that may cause undesired operation.



**NOTE:** This equipment has been tested and found to comply with the limits for a Class B digital device, pursuant to Part 15 of the FCC Rules. These limits are designed to provide reasonable protection against harmful interference in a residential installation. This equipment generates, uses and can radiate radio frequency energy and, if not installed and used in accordance with the instructions, may cause harmful interference to radio communications. However, there is no guarantee that interference will not occur in a particular installation.

If this equipment does cause harmful interference to radio or television reception, which can be determined by turning the equipment off and on, the user is encouraged to try to correct the interference by one or more of the following measures:

- Reorient or relocate the receiving antenna.
- Increase the separation between the equipment and receiver.
- Connect the equipment into an outlet on a circuit different from that to which the receiver is connected.
- Consult the dealer or an experienced radio/TV technician for help.

# SPECIFICATIONS

Maximum weight per (cabinet drawer)	120 lbs.
Casters support up to	2500 lbs.



**NOTE:** Begin product assembly close to the final intended location of your chest/cabinet. This product is heavy and may be difficult to move after assembly.

# PACKAGE CONTENTS

## HARDWARE INCLUDED



**NOTE:** Hardware not shown to actual size.



AA



BB

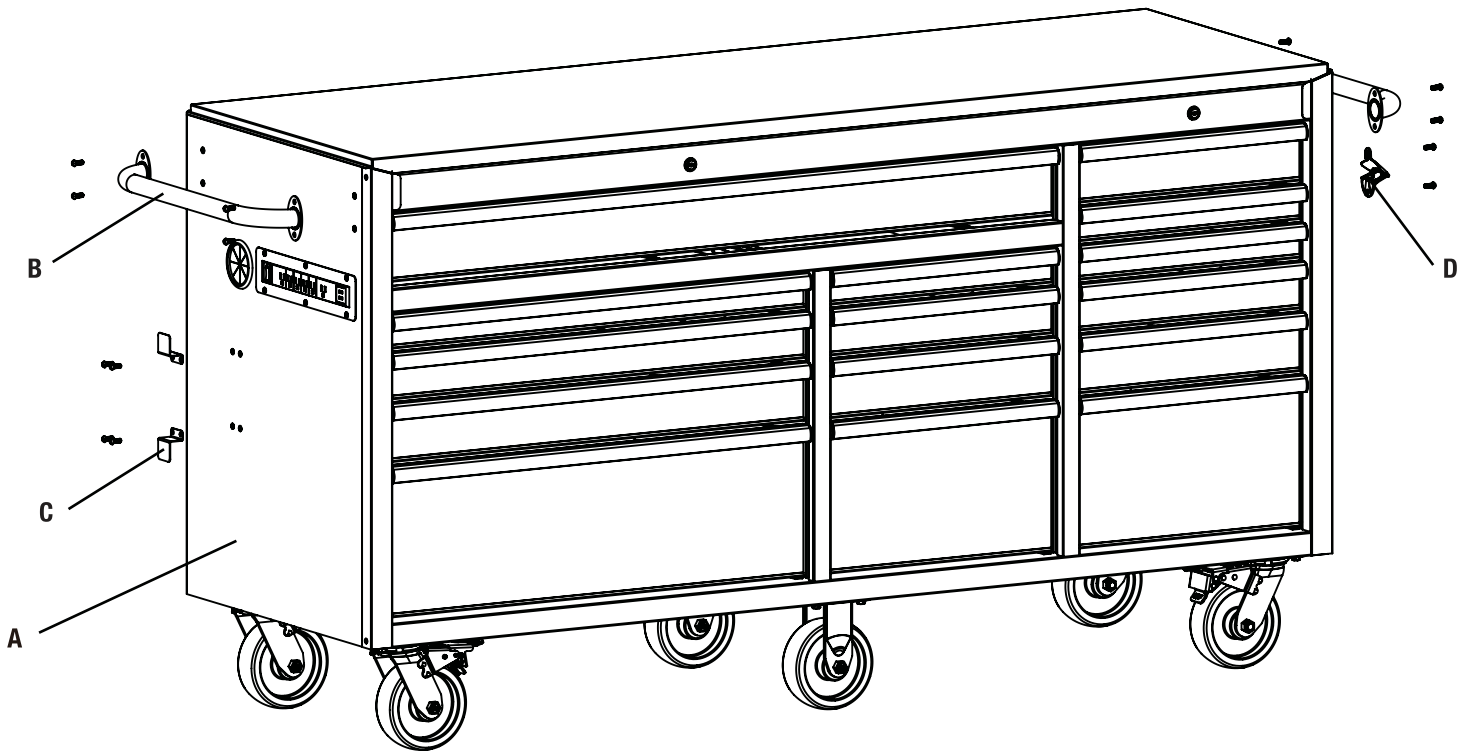
ffi

Part	Description	Quantity
AA	M6 x 16 bolt	14
BB	Hex key	1

# PACKAGE CONTENTS (CONTINUED)



NOTE: The keys are inside top drawer.



Part	Description	Quantity
A	Cabinet	1
B	Cabinet handle	2
C	Storage hook	2
D	Bottle opener	1

# ASSEMBLY



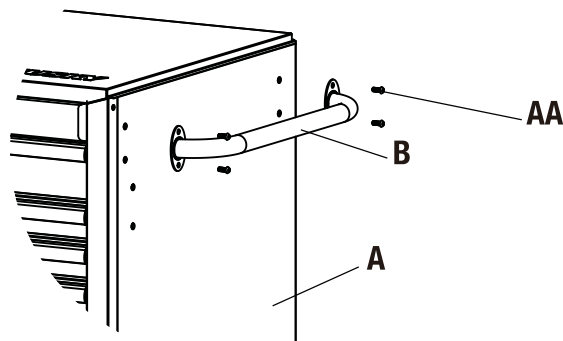
CAUTION: Two people are recommended for assembly.

## 1. Attaching the Cabinet Handle

- Position the cabinet handle (B) over the holes on the cabinet (A).
- Attach with the bolts (BB) and tighten with supplied wrench (CC) or 10mm wrench/socket.
- Repeat this process on the opposite side of cabinet (A).



NOTE: The holes in the cabinet are tapped and do not require nuts.

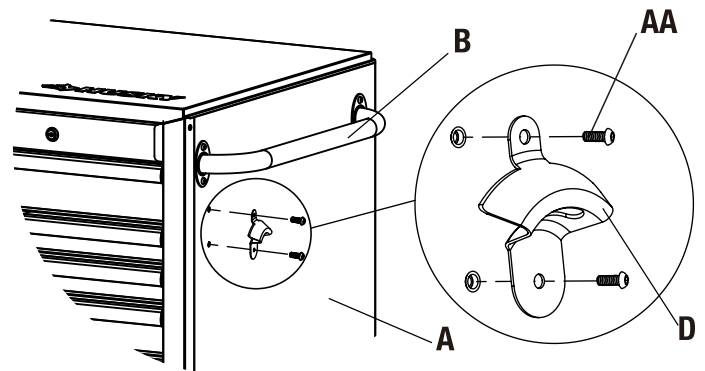


## 2. Attaching the bottle opener

- Position the bottle opener (D) over the holes on the cabinet (A).
- Attach with the bolts (AA) and tighten with supplied hex key (BB).

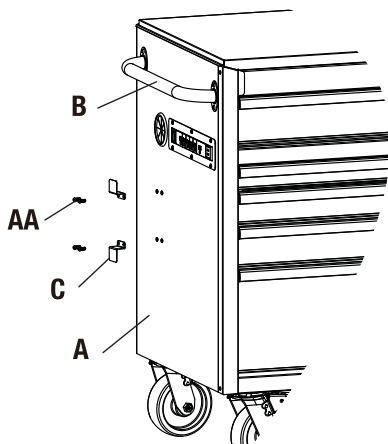


CAUTION: Do not over tighten the bolts.



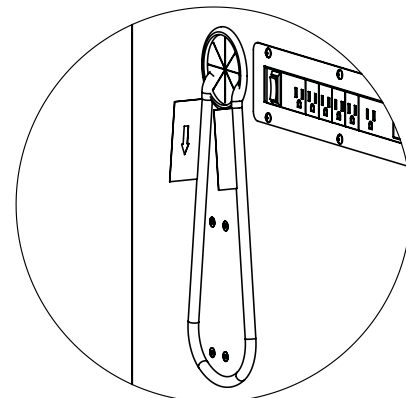
## 3. Attaching the Storage Hook

- Position the storage hook (C) over the holes on the cabinet (A).
- Attach with the bolts (AA) and tighten with supplied hex key (BB).



## 4. Installation of Power Cord

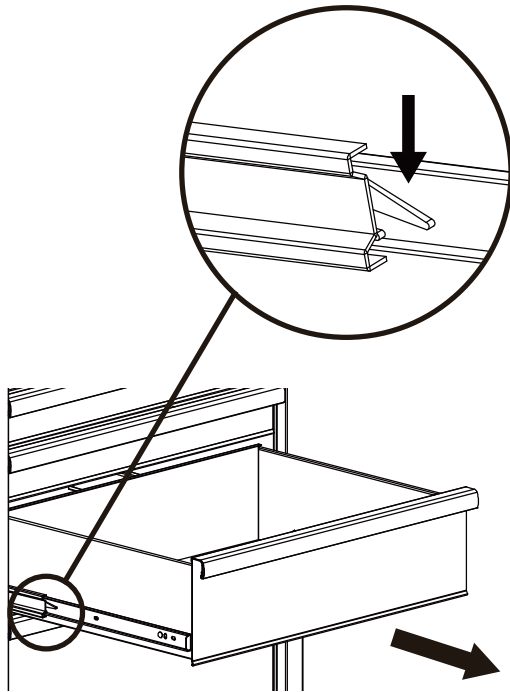
- Untie power cord located inside drawer.
- Gently pull cord plug through grommet.



# OPERATION

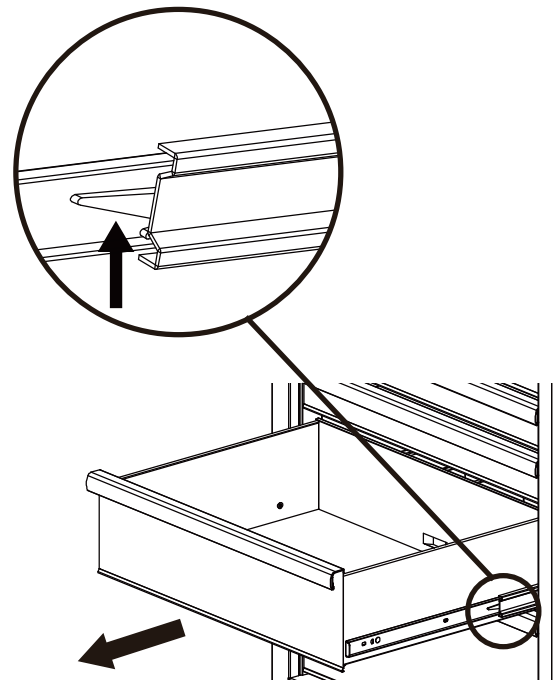
## 1. Removing the Drawers

- Fully extend the empty drawer.
- Push up the one release lever while pulling down on the other release lever.
- Pull the drawer outward until it is released from the drawer slide.



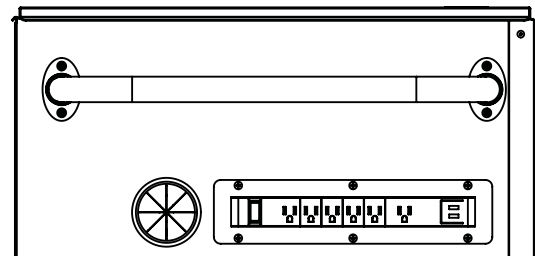
## 2. Re-inserting the Drawers

- Extend the drawer slides.
- Insert the brackets on each side of the drawer into the slots in the slides, being careful that they are properly positioned.
- Once properly inserted, completely close the drawer to set the slides in their proper positions.



## 3. Usage of rubber grommet

- When passing cords into the box, be sure to always enter box from the rear. After head of cord is in place, slightly pull back 2-3" to ensure weather resistant "star bursts" are facing toward the outside of box. Never push the cord from inside box so that mating plug points are exposed to the environment.
- BE SURE TO FOLLOW ALL ELECTRICAL SAFETY PRECAUTIONS.



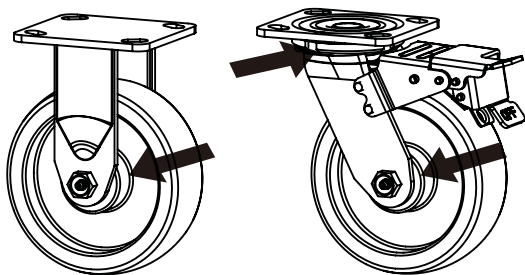
# CORDLESS POWER TOOL BATTERY CHARGERS

- See Charger's Owner's Manual for proper use and care of charger and batteries.
- Follow all Warnings and Instructions provided with your battery charger.
- Place chargers and electrical connections inside cabinet. Chargers are for use in dry locations only. Do NOT expose to liquid, vapor, or rain. Should your charger become wet, Do NOT attempt to use. Unplug extension cord from supply before handling wet charger or cords.
- Only use chargers and batteries that are intact and operating properly.
- Do NOT touch metal prongs when plugging charger into extension cord.
- Keep flammable materials like paper or rags away from charger, cords or connections.
- Do NOT place or attempt to charge lead acid, car type batteries in storage cabinet.

## MAINTENANCE

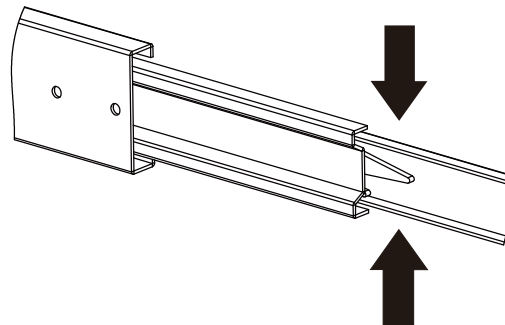
### 1. Caster Maintenance

- Grease the casters annually using high-quality bearing grease



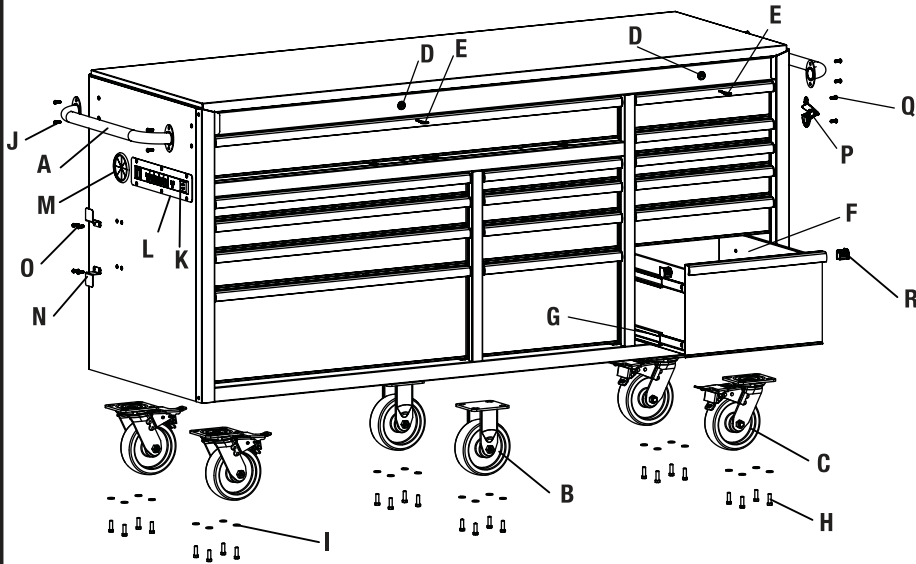
### 2. Drawer maintenance

- Lubricate the drawer slides semi-annually with high-quality bearing grease



- Periodically clean the drawer fronts, drawer trim, and other surfaces with a mild detergent and water.
- Remove grease and oil with a standard nonflammable cleaning fluid.

# REPLACEMENT PARTS



Part	Description	Quantity
A	Cabinet Handle	2
B	Fixed Caster	2
C	Swivel Locking Caster	4
D	Lock	2
E	Key	2
F	Drawer Liner	15
G	Drawer Slide	36
H	Caster Bolt	24
I	Caster Washer	24
J	Handle Bolt	8
K	Outlet	1
L	Outlet Panel Cover	1
M	Rubber Grommet	1
N	Storage Hook	2
O	Storage Hook Bolt	4
P	Bottle Opener	1
Q	Bottle Opener Bolt	2
R	Drawer Handle Cap	30

**Retain this manual for future use.**