



# Owner's Manual & Safety Instructions

## USE AND CARE GUIDE

**Save This Manual** Keep this manual for safety warnings and precautions, assembly, operating, inspection, maintenance and cleaning procedures. Write the product's serial number in the back of the manual near the assembly diagram (or month and year of purchase if product has no number). Keep this manual and the receipt in a safe and dry place for future reference.

# 46" 9-DRAWER TOOL TROLLEY

## WITH POWER STRIP (6 OUTLET + 2 USB PORTS)



**BDTS-46MW9BK**

### **⚠ WARNING**

Read this material before using this product.  
Failure to do so can result in serious injury.  
**SAVE THIS MANUAL.**

Questions, Problems, Missing Parts?  
Before Returning to the Store,  
Call Black Diamond™ Customer Service:  
888-376-7375 (M-F 8am to 5pm CST)

# TABLE OF CONTENTS

Table of Contents .....	2	Assembly .....	5
Safety Information .....	2	Operation .....	5
Specifications .....	3	Maintenance .....	6
Package Contents .....	3	Care and Cleaning .....	6
Hardware Included .....	3		
Alternative Tools For Assembly (Not Included) .....	3		

# SAFETY INSTRUCTIONS AND CAUTIONS

1. Do not pull this unit, push it when moving.
2. Use the brakes when this product is not being moved. This prevents the product from rolling.
3. Secure this product properly before moving it with a forklift.
4. Do not tow the product with power equipment.
5. Do not alter this product in any manner. For example, do not weld external lock bars or attach electrical equipment.
6. Before locking the cabinet, ensure the drawers are completely closed in order for the lock bars to work properly.



**CAUTION:** Do not attach or mount this product to a vehicle or mobile trailers. This may cause personal injury or product damage.



**CAUTION:** Keep the product on level surfaces. The product may become unstable and tip if stored or moved on an unlevel surface, which may cause personal injury or product damage.



**CAUTION:** Do not stand on this product. You may fall which may cause personal injury or product damage.



**CAUTION:** Lock the drawers before moving this product. The drawers could come open and make this product unstable and tip, which may cause personal or product damage.



**CAUTION:** Be careful when opening more than one drawer. The product may become unstable and tip, which may cause personal injury or product damage.

# SPECIFICATIONS

Maximum weight per (cabinet drawer)	100 lbs.
Casters support up to	1200 lbs.



**NOTE:** Begin product assembly close to the final intended location of your chest/cabinet. This product is heavy and may be difficult to move after assembly.

# PACKAGE CONTENTS

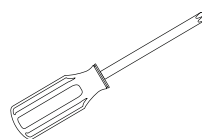
## HARDWARE INCLUDED



**NOTE:** Hardware not shown to actual size.



## ALTERNATIVE TOOLS FOR ASSEMBLY (Not Included)

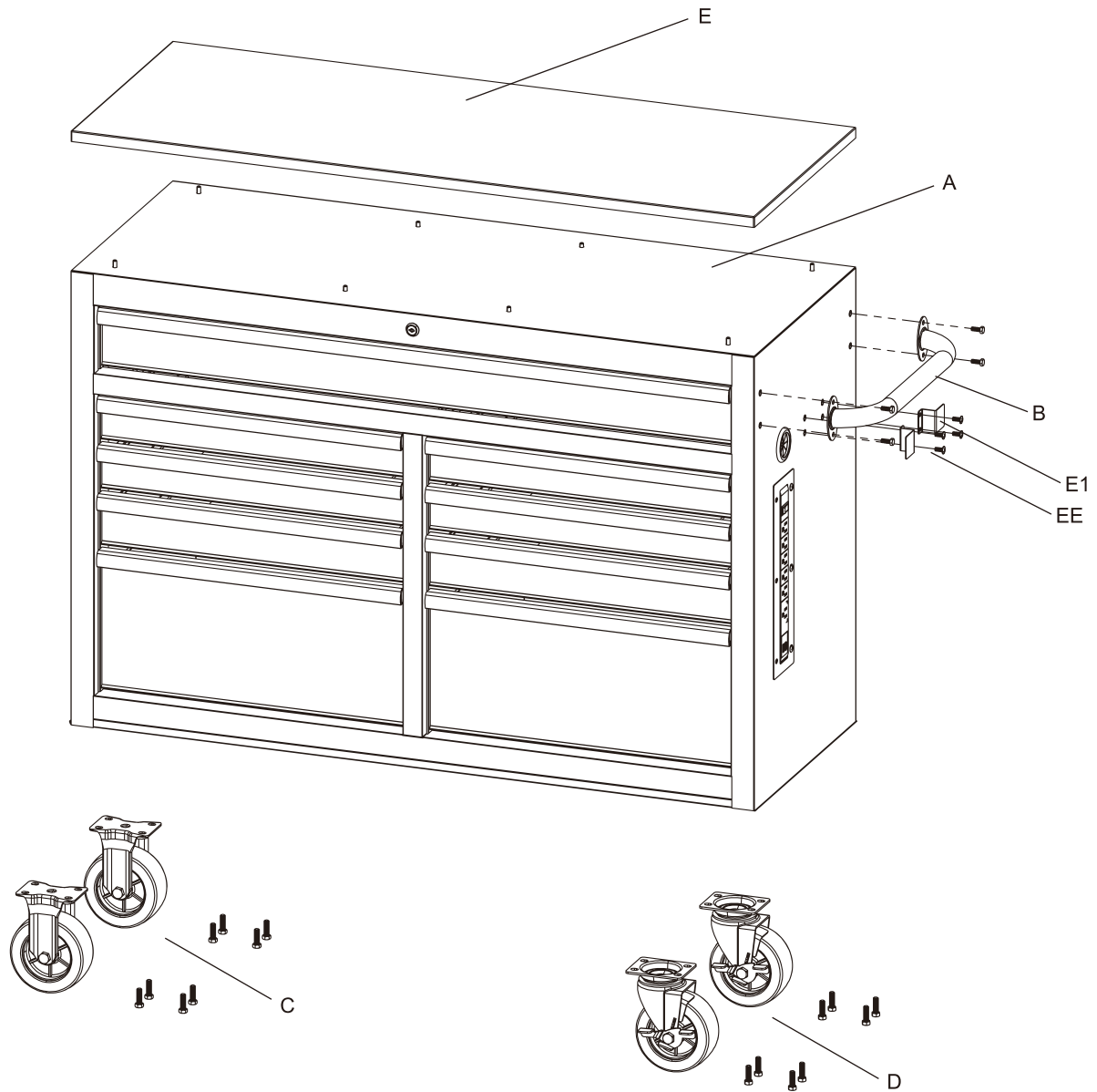


Part	Description	Quantity
AA	M8 x 25 bolt	16
BB	M6 x 16 bolt	4
CC	Wrench	1
EE	M6 x 12 bolt	4

# PACKAGE CONTENTS (CONTINUED)



**NOTE:** The keys are taped to the top of the unit.



Part	Description	Quantity
A	Cabinet	1
B	Cabinet handle	1
C	Fixed caster	2
D	Swivel caster	2
E	Wood top	1
E1	Power cord hook	2

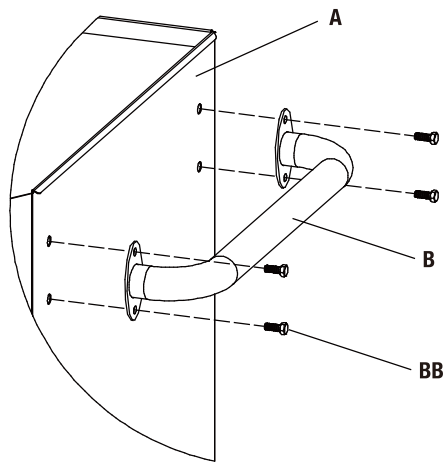
# ASSEMBLY

## 1. Attaching the Cabinet Handle

- Position the cabinet handle (B) over the holes on the cabinet (A).
- Attach with the bolts (BB) and tighten with supplied wrench (CC) or 10mm wrench/socket.



**NOTE:** The holes in the cabinet are tapped and do not require nuts.

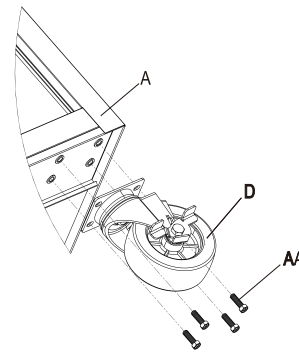


## 2. Attaching the Casters

- Be sure the drawers are locked and lay the cabinet (A) on its top. Use packaging material to protect the finish.
- Attach the swivel casters (D) to the unit, on the same side as the handle inserting bolts (AA) through the swivel casters (D) and into the cabinet (A).
- Tighten with supplied wrench (CC) or 12 mm wrench/socket.
- Repeat this process for the fixed casters (C) on the opposite side of the cabinet (A).
- Return the cabinet (A) to its upright position.



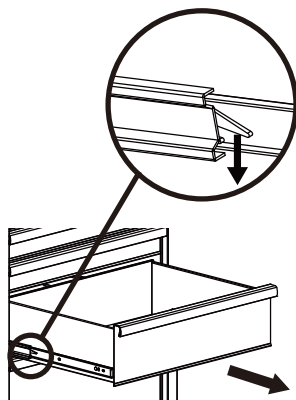
**CAUTION:** Do not over tighten the bolts.



# OPERATION

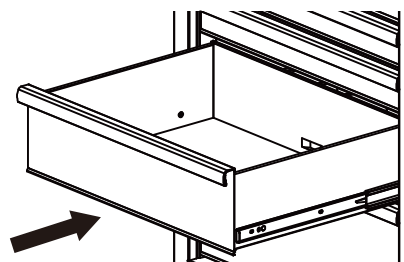
## 1. Removing the Drawers

- Fully extend the empty drawer.
- Push up the one release lever while pulling down on the other release lever.
- Pull the drawer outward until it is released from the drawer slide.



## 2. Re-inserting the Drawers

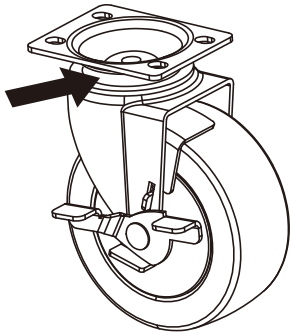
- Extend the drawer slides.
- Insert the brackets on each side of the drawer into the slots in the slides, being careful that they are properly positioned.
- Once properly inserted, completely close the drawer to set the slides in their proper positions.



# MAINTENANCE

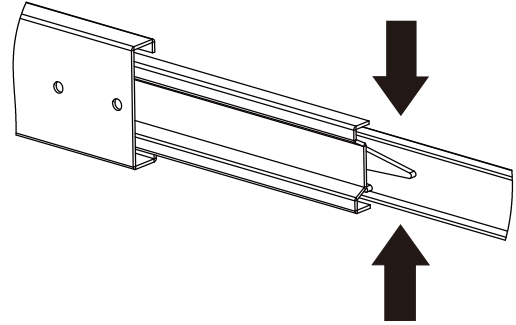
## 1. Caster Maintenance

- Grease the casters annually using high-quality bearing grease



## 2. Drawer maintenance

- Lubricate the drawer slides semi-annually



# CARE AND CLEANING

- Periodically clean the drawer fronts, drawer trim, and other surfaces with a mild detergent and water.
- Auto wax preserves the storage unit's luster finish and protects against scratches. Apply the wax as you would on a car.
- Remove grease and oil with a standard nonflammable cleaning fluid.